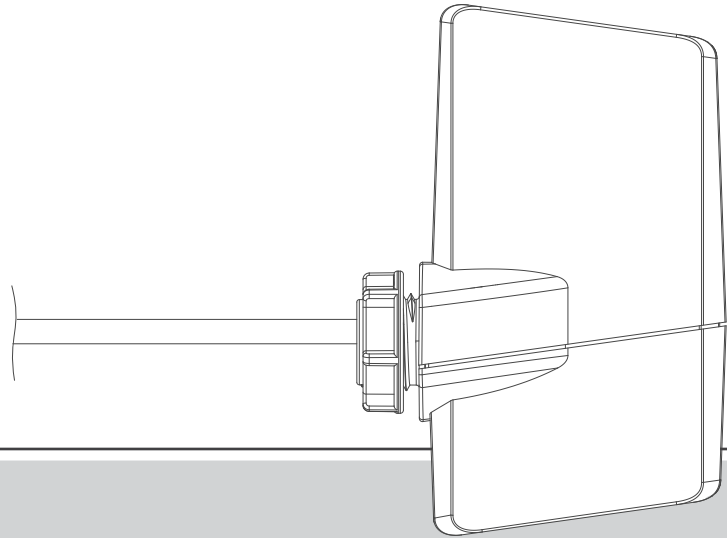


WIFIKIT

INSTALLATION GUIDE



WIFIKIT for
Centralus™ Irrigation Management Platform
for ICC2 Controllers

Hunter®

You will need the following to set up your device:

- **Wi-Fi signal:** Check the signal strength from the desired router connection at the controller location with your smartphone. If the strength is too low, the connection will not work, and will need to be moved closer to the router.
- A Hunter ICC2 controller with a WIFIKIT and correlating serial number.
- Your Hunter SSO login information: Log in at <https://sso.hunterindustries.com>. If necessary, create a new account for free.

Need more helpful information on your product? Find tips on installation, controller programming, and more.



centralus.hunterindustries.com/support



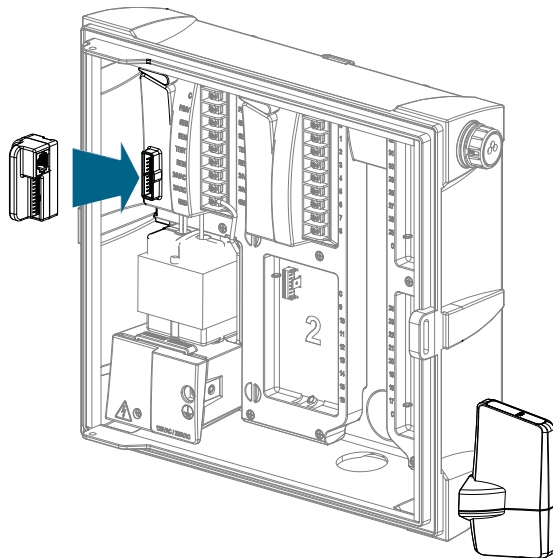
1-800-733-2823

Table of Contents

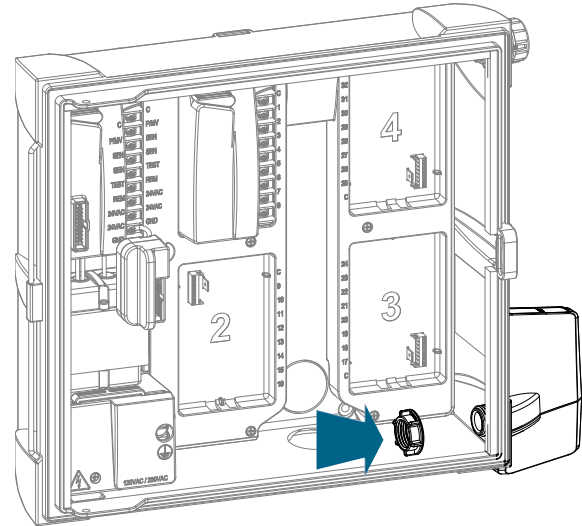
- 4** Installing the WIFIKIT
- 7** Setting Up Communications
 - 7** Power and Prepare
 - 7** Wi-Fi Connection
 - 9** Troubleshooting the Connection
- 10** Software Setup
- 14** Compatibility
 - 14** U.S. FCC Statement
- 15** Notices
 - 15** Industry Canada Notice
 - 15** Declaration d'Industrie Canada
 - 15** Certificate of Conformity to European Directives

Installing the WIFIKIT

- Turn off the AC power to the controller.
- Disconnect the ribbon cable from the power module in the upper left side of the controller.
- Plug the WIFIKIT adapter into the power module.
- Plug the ribbon cable from the facepack into the adapter.

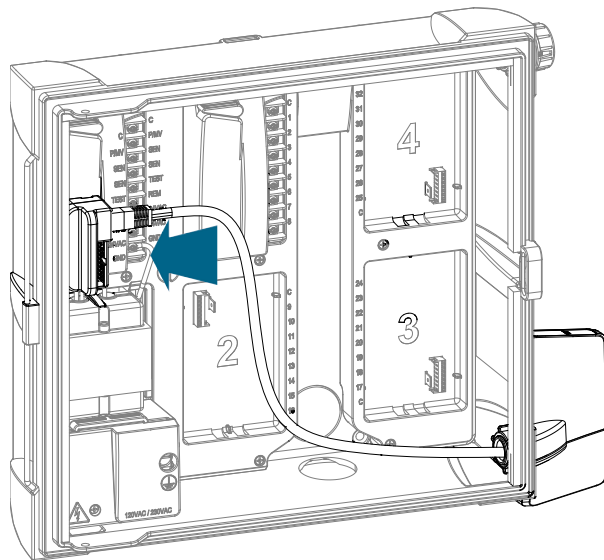


- Remove the knockout (for plastic enclosures) or rubber plug (for metal enclosures) on the lower right side of the controller cabinet.
- Route the WIFIKIT cables through the opening and through the included plastic nut on the inside of the controller. Secure the WIFIKIT in place with the nut (finger-tighten only).



Installing the WIFIKIT

- Connect the data cable from the WIFIKIT to the ribbon cable adapter.
- Restore power to the controller and verify that a light appears on the WIFIKIT.

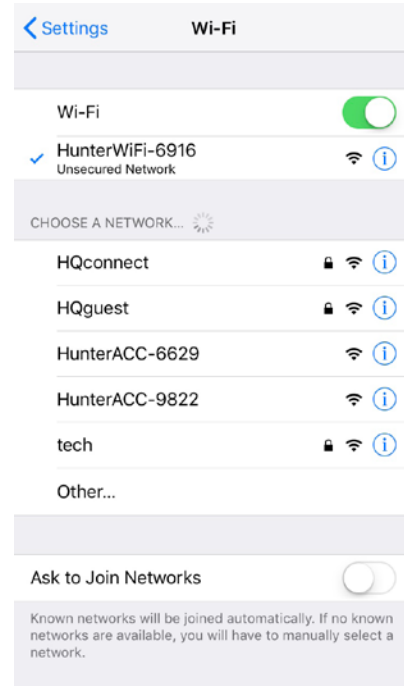


Power and Prepare

1. Connect the WIFIKIT cable to the adapter. The WIFIKIT will have a single LED flashing red, which shows it is in connection mode.
2. If the WIFIKIT has previously been connected, or fails to connect, you will need to retry the connection. Press the black button on the WIFIKIT (to the right of the LEDs) to initiate connection mode (follow steps 1-2 below).

Wi-Fi Connection

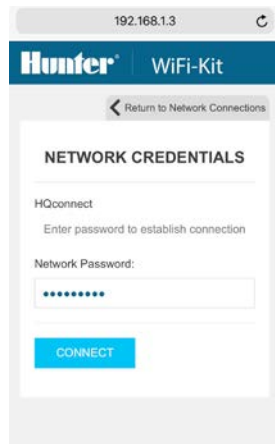
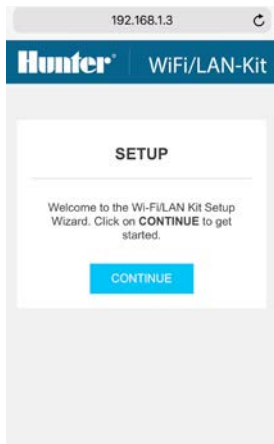
1. Use your smartphone or computer to find the Wi-Fi connection for your WIFIKIT serial number (e.g., HunterWiFi-6916). This network number is being broadcast by your Hunter WIFIKIT.
2. Select the Wi-Fi connection and wait until your smartphone or computer shows the connection is complete.



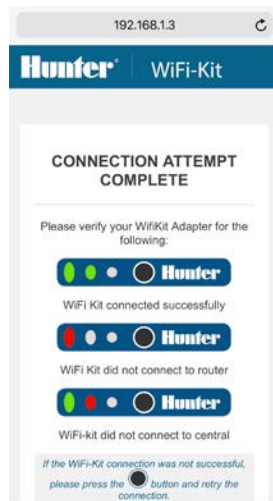
Setting Up Communications

3. Once connected to the WIFIKIT hosted network, your smartphone or computer will automatically display the setup splash screen.
4. Select your Wi-Fi router connection and enter the Network Password. Then click “Connect.”

On some smartphones or browsers, the setup screen may not appear automatically. In such cases, you can address the WIFIKIT directly by typing 192.168.1.3 in the browser address bar.



5. The leftmost WIFIKIT light will blink while establishing a connection. Wait at least one minute for the “Connection Attempt Complete” page to display. Compare your display to the sample views on the screen.

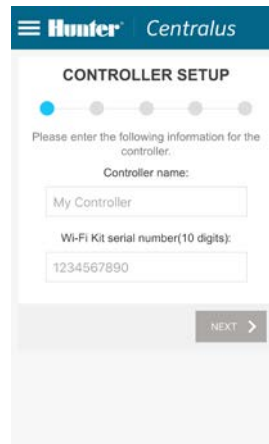
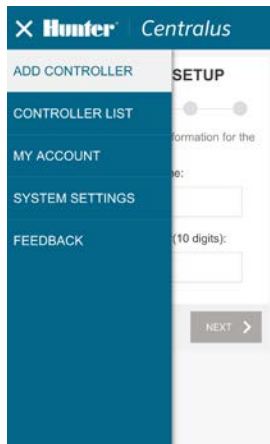
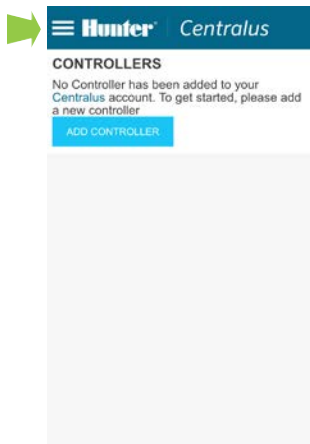


Troubleshooting the Connection

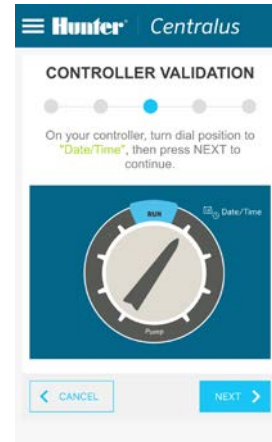
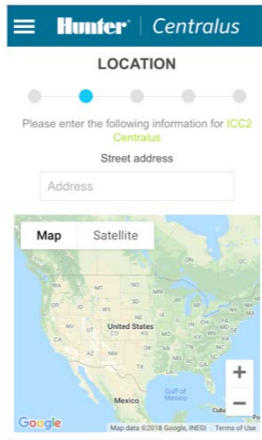
- If the first two LEDs are solid green, the attempt was successful. The WIFIKIT is now connected to the router and to the Centralus server. Proceed to Software Setup.
- If the first light remains solid red after an extended period (up to two minutes), the connection attempt was unsuccessful.
 - Cycle power to the WIFIKIT and retry the connection.
 - Double-check that the router is operating properly. Reset the router if necessary.
- If the first light turns green, but the second light is red, the WIFIKIT was able to connect to the router, but not to the Centralus server.
 - Check the internet connection from the router and retry.

Software Setup

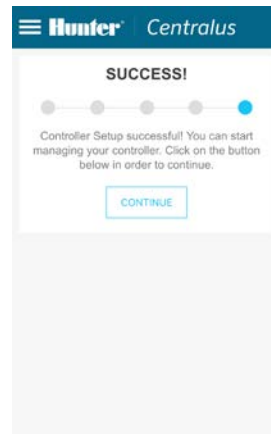
1. Go to <http://centralus.hunterindustries.com>.
2. Log in using your Hunter SSO email and password.
3. Click the menu icon at the top left of the screen.
4. Click “Add Controller.”
5. Enter a name for your controller. Then enter the WIFIKIT serial number (located on the spine of the WIFIKIT) and click “Next.” Do not enter dashes in the serial number.



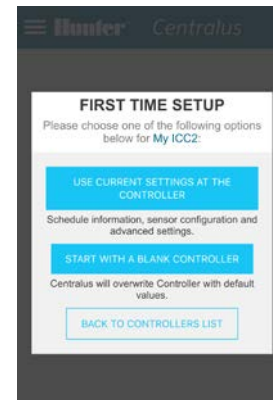
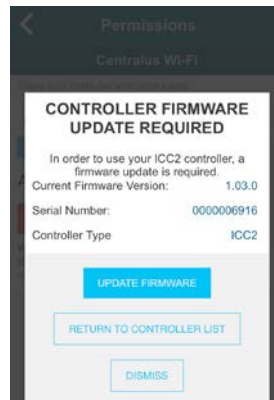
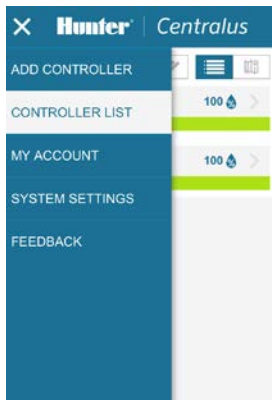
6. Enter the controller address. Then select the correct Google Maps™ address from the drop-down menu and click “Next.”
7. To verify the device for security purposes, the screen will ask you to rotate the dial to a random position. Turn the controller dial to the requested position and then click “Next.”



8. If the software sees you have selected the correct dial position, it will instruct you to return the dial to the Run position. Turn the dial position to “Run” and then click “Next.” If the verification fails, the software will select a new dial position and ask you to turn to that position. This step must be completed before finalizing the controller setup.
9. After successful controller setup, click “Continue” to begin programming your controller.



10. Navigate to the Controller List tab from the menu icon and select your new controller.
11. You may be prompted to update your firmware when first connecting. Click the “Update Firmware” button to automatically obtain the latest controller operating system. This process will take approximately 11 minutes with a good connection.
12. Open the Schedule tab. You will be prompted to choose the existing settings from the controller or start with a blank controller. This will allow you to either import any existing scheduling and settings from the controller to the software, or to reset the controller programming and start fresh.



U.S. FCC Statement

This equipment generates, uses, and can radiate radio frequency energy and, if not installed and used in accordance with the manufacturer's instruction manual, may cause interference with radio and television reception. This equipment has been tested and found to comply with the limits for a Class B digital device, pursuant to part 15 of the FCC Rules. Operation is subject to the following two conditions:

1. This device may not cause harmful interference.
2. This device must accept any interference received, including interference that may cause undesired operation.

Notice: The FCC regulations provide that changes or modifications not expressly approved by Hunter Industries could void your authority to operate this equipment. These limits are designed to provide reasonable protection against harmful interference

in a residential installation. However, there is no guarantee that interference will not occur in a particular installation. If this equipment does cause harmful interference to radio or television reception, which can be determined by turning the equipment off and on, the user is encouraged to try to correct the interference by one or more of the following measures:

- Reorient or relocate the receiving antenna.
- Increase the separation between the equipment and receiver.
- Connect the equipment into an outlet on a circuit different from that to which the receiver is connected.
- Consult the dealer or an experienced radio/TV technician for help.

Industry Canada Notice

This device complies with Industry Canada license-exempt RSS standard(s). Operation is subject to the following two conditions:

1. This device may not cause interference, and
2. This device must accept any interference, including interference that may cause undesired operation of the device.

Déclaration d'Industrie Canada

Le présent appareil est conforme aux CNR d'Industrie Canada applicables aux appareils radio exempts de licence. L'exploitation est autorisée aux deux conditions suivantes :

1. L'appareil ne doit pas produire de brouillage, et
2. L'utilisateur de l'appareil doit accepter tout brouillage radioélectrique subi, même si le brouillage est susceptible d'en compromettre le fonctionnement.

Certificate of Conformity to European Directives

Hunter Industries hereby declares that this product is in compliance with the essential requirements and other relevant provisions of European Directives 2014/53/EU (Radio Equipment Directive), 2014/35/EU (low voltage), and 2014/30/EU (electromagnetic compatibility).



Helping our customers succeed is what drives us. While our passion for innovation and engineering is built into everything we do, it is our commitment to exceptional support that we hope will keep you in the Hunter family of customers for years to come.

A handwritten signature in black ink, appearing to read 'G.R. Hunter', with a long horizontal line extending to the right.

Gregory R. Hunter, CEO of Hunter Industries

HUNTER INDUSTRIES INCORPORATED | *Built on Innovation*[®]
1940 Diamond Street, San Marcos, California 92078, USA
www.hunterindustries.com