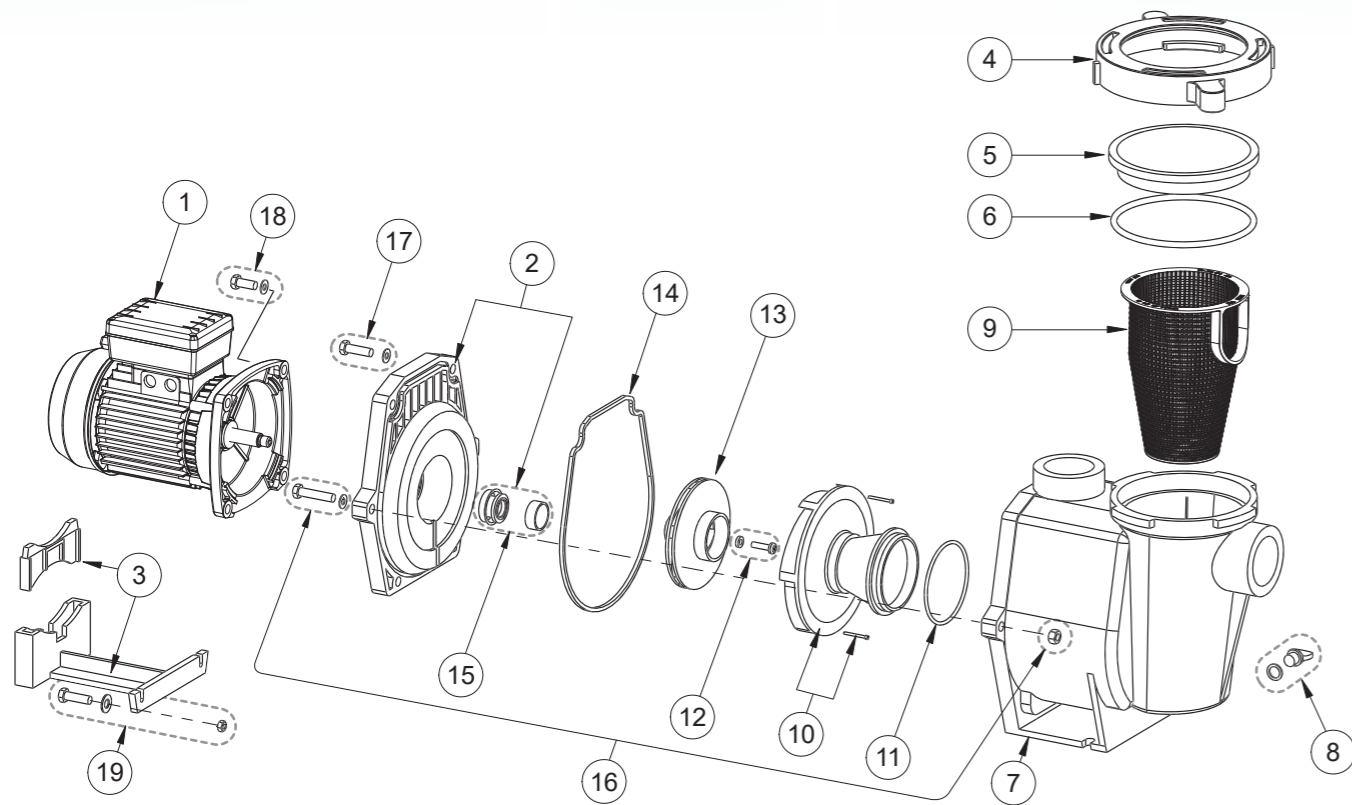


# SPARE PARTS

Sta-Rite pool pump WhisperPro S5P5R



Sta-Rite pool pump WhisperPro S5P5R

| NR. | DESCRIPTION                      | FOR PUMP             | PART NR. INCLUDES | PART NR. |
|-----|----------------------------------|----------------------|-------------------|----------|
| 1a  | Motor - Mono Phase 0,55kW        | S5P5RD-1             | 1                 |          |
| 1a1 | Capacitor 16µF                   | S5P5RD-1             | 1                 | 7010425  |
| 1b  | Motor - Tri Phase 0,55kW         | S5P5RD-3             | 1                 |          |
| 1c  | Motor - Mono Phase 0,75kW        | S5P5RE-1             | 1                 |          |
| 1c1 | Capacitor 20µF                   | S5P5RE-1             | 1                 | 7010426  |
| 1d  | Motor - Tri Phase 0,75kW         | S5P5RE-3E2           | 1                 |          |
| 1e  | Motor - Mono Phase 1,10kW        | S5P5RF-1             | 1                 |          |
| 1e1 | Capacitor 31,5µF                 | S5P5RF-1             | 1                 | 7010429  |
| 1f  | Motor - Tri Phase 1,10kW         | S5P5RF-3E2           | 1                 |          |
| 1g  | Motor - Mono Phase 1,50kW        | S5P5RG-1             | 1                 |          |
| 1g1 | Capacitor 35µF                   | S5P5RG-1             | 1                 | 7010430  |
| 1h  | Motor - Tri Phase 1,50kW         | S5P5RG-3E2           | 1                 |          |
| 1i  | Motor - Mono Phase 2,20kW        | S5P5RH-1             | 1                 |          |
| 1i1 | Capacitor 35µF                   | S5P5RH-1             | 1                 | 7010430  |
| 1j  | Motor - Tri Phase 2,20kW         | S5P5RH-3E2           | 1                 |          |
| 2   | Seal plate incl. Mechanical Seal |                      | 1                 |          |
| 3   | Pump base                        |                      | 1                 |          |
| 4   | Locking ring                     |                      | 1                 | 7010694  |
| 5   | Lid                              |                      | 1                 | 7010690  |
| 6   | O-ring                           |                      | 1                 | 7010709  |
| 7   | Housing BSP - black              |                      | 1                 |          |
| 8   | Drain plug & O-ring              |                      | 2                 | 7010657  |
| 9   | Basket                           |                      | 1                 | 7010649  |
| 10  | Diffuser                         |                      | 1                 |          |
| 11  | Seal Diffuser                    |                      | 1                 |          |
| 12  | Impeller Lock Screw              |                      | 1                 |          |
| 13  | Impeller 0,55KW                  | S5P5RD-1, S5P5RD-3   | 1                 |          |
|     | Impeller 0,75KW                  | S5P5RE-1, S5P5RE-3E2 | 1                 |          |
|     | Impeller 1,10KW                  | S5P5RF-1, S5P5RF-3E2 | 1                 |          |
|     | Impeller 1,50KW                  | S5P5RG-1, S5P5RG-3E2 | 1                 |          |
|     | Impeller 2,20KW                  | S5P5RH-1, S5P5RH-3E2 | 1                 |          |
| 14  | Gasket Seal Plate                |                      | 1                 |          |
| 15  | Mechanical seal                  |                      | 1                 | 7016790  |
| 16  | Bolts & Washers                  |                      | 2                 |          |
| 17  | Bolts & Washers                  |                      | 4                 |          |
| 18  | Bolts & Washers                  |                      | 4                 |          |
| 19  | Bolts, Nuts & Washers            |                      | 2                 |          |
|     | Seal set (Partn° 6, 11, 14, 15)  |                      | 1                 |          |