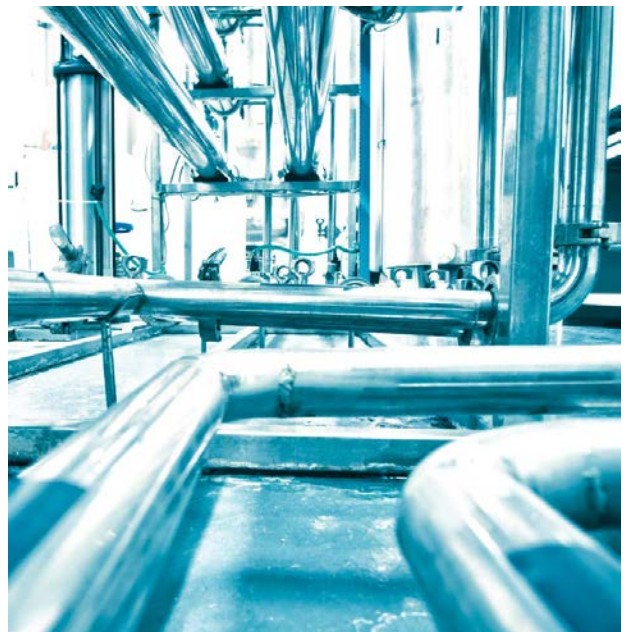


MixRite™

# DOSING PUMPS

Agriculture | Livestock | Industry



# MixRite DOSING PUMPS

## About TEFEN

Tefen is a leading manufacturer of environmental friendly, non-electric volumetric equipment and flow products since 1973.

Tefen's MixRite line of water driven proportional dosing pumps, are used to ensure precise additive injection directly into the water or fluid line under various flow rates, feed ratios and different ranges of pressure. These pumps are extremely durable, manufactured from engineered composite materials to withstand the rigors of the elements, as well as chemicals and acids for injection.

Tefen offers the MixRite pumps for a variety of applications such as medication for livestock, cleaning or disinfecting fluid lines, sanitizing water systems, car wash, cost effective fertilizing, and pest control for crops and plants. Tefen's pumps are adaptable simple to use and cost effective, while creating a long-lasting solution for your needs.

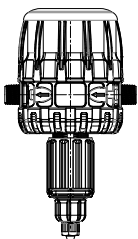
The Tefen MixRite water powered dosing pump has demonstrated its value in over 90 countries, by offering reliable, innovative & sustainable solution according to customers needs.

Tefen is certified by ISO 9001 2015

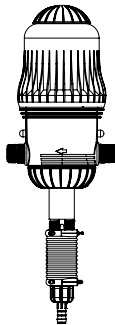


## MixRite Range

1



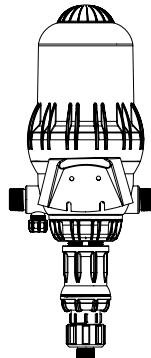
2.5



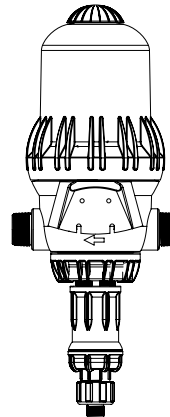
3.5



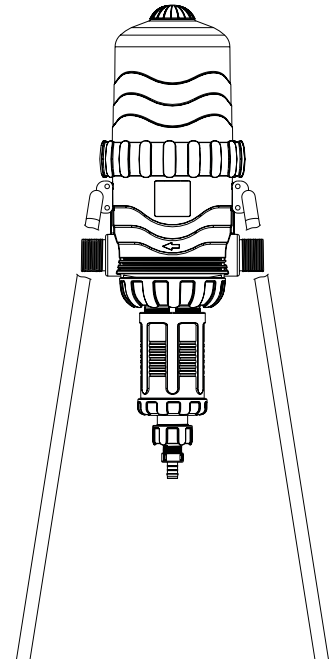
TF - 5



TF - 10



TF - 25





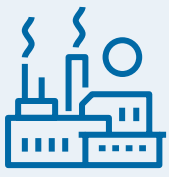
## Applications



### Agriculture

The objectives of fertigation are to control water quantities and added nutrients necessary for optimum growth of crops. MixRite proportional injection technology means less waste, plus a better mix for fertilizers, pesticides and other water-soluble products.





## Industry

### **Water Treatment:**

Water treatment is any process that improves the quality of water for a specific end-use such as drinking, industrial water supply, irrigation and many more. MixRite pumps offer optimal solution for chlorination and PH control process.

### **Cutting Oil:**

Cutting oil is designed to extend the life of cutting and drilling equipment and improve their performance. MixRite water powered proportional pumps ensure injection of precise additive amount to the process.

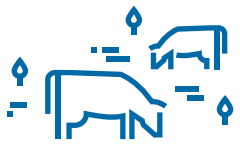
### **Hygiene & Sanitation:**

The sanitation and hygiene industry requires exceedingly accurate and reliable chemical mixing and injection solutions. MixRite injectors are used in market applications like hospitals, restaurants, food services, and supermarkets. MixRite pumps are easily installed in fixed or mobile installations often including static mixers, maturing tanks, flow meters, etc.

### **Car washing:**

MixRite pumps are the perfect solution for car wash facilities of all types and sizes. It lowers the cost-per-car expense, while using less energy and chemical waste.





## Animal Health

MixRite pumps for Animal Health guarantee control over doses of treatments injected through drinking water, which is the ideal distribution method, from the first day of the flock. In all kinds of Animal (poultry, pigs, cattle, rabbits, etc.), the MixRite proportional dosing pumps will enable you to dose into the water line treatments such as: Medications, Vaccines, Disinfectants, Acidification, Chlorine, Supplements, Vitamins, Minerals.

The proportionality of MixRite pumps guarantees the correct dose independently by pressure and water flow variations (animal consumption).



# MixRite DOSING PUMPS

## 2.5 m<sup>3</sup>/h

### MixRite 2.5

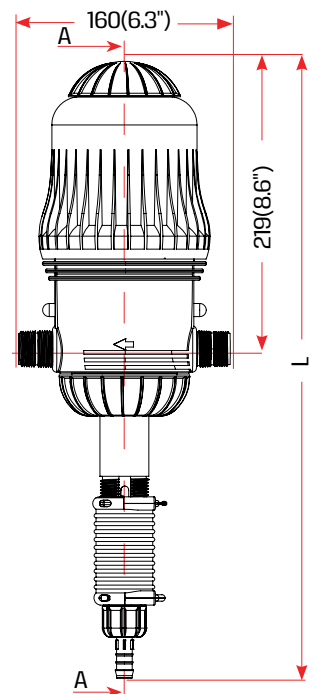
#### Available options



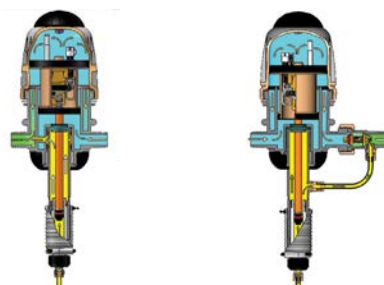
#### Technical Information

Water pressure	0.2 - 8 bar (2.9 - 116 psi)
Flow Rate	10 - 2500 l/h (0.044 - 11 GPM)
Working temp	4-40° C (39.2-104° F)
Coupling	3/4"

\* Legs available upon special request



#### By Pass models



Internal bypass  
\*Yellow sleeve

External bypass  
\*Yellow sleeve

L (Height)		
	On/Off	Air Release
Max.	528 (20.7")	496 (19.5")
Min.	497 (19.5")	457 (17.9")

Max.  
Min.

#### Application Color Code

Application	Sleeve Color	TEFEN Code	Seal Material	Spring Material
Irrigation	Grey	STD	NBR	SST
Livestock	Red	PO	NBR, EPDM	SST, Hastelloy
Acids	White	PVDF	AFLAS	Hastelloy
Chlorine	Purple	CL	Viton	Hastelloy
Industry	Black	C	EPDM, AFLAS	SST, Hastelloy
Car Wash	Cyan	CW	AFLAS	SST, Hastelloy
By-Pass	Yellow	I / B	EPDM, AFLAS	SST, Hastelloy



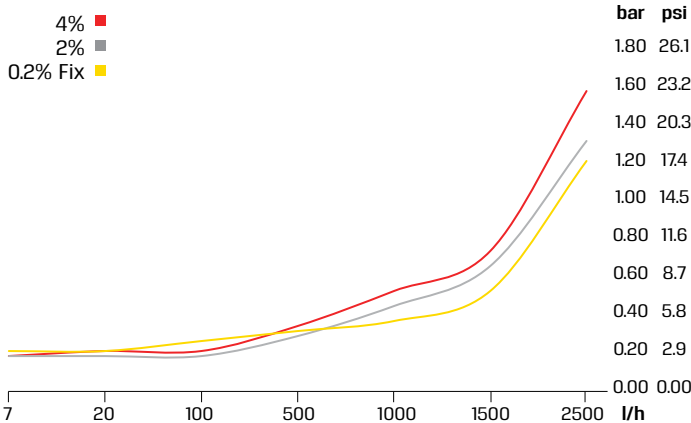


## Application Range

Dosage Rate %	Flow Rate Range	Pressure Range	Connectors Dia. Thread	Min-Max Injection Rate Per Hour	Suction Tube Dia.	Applications	Gross weight std unit
0.2% fix	10 - 2500 l/h	0.2 - 8 bar	3/4" BSPT	0.02 - 5 l/h	8 mm	Irrigation	1.4 KG
0.8% fix	10 - 2500 l/h	0.2 - 8 bar	3/4" BSPT	0.08 - 20 l/h	10 mm	Irrigation / Livestock	1.5 KG
1% fix	10 - 2500 l/h	0.2 - 8 bar	3/4" BSPT	0.01 - 25 l/h	10 mm	Irrigation / Livestock	1.8 KG
0.1% - 0.9%	10 - 2500 l/h	0.2 - 8 bar	3/4" BSPT	0.01 - 22.5 l/h	8 mm	Irrigation / Livestock / Chlorine / Car Wash / Acid	1.8 KG
0.3% - 2%	10 - 2500 l/h	0.2 - 8 bar	3/4" BSPT	0.03 - 50 l/h	10 mm	Irrigation/Livestock / Chlorine / Car Wash / Industry / Acid	1.8 KG
0.4% - 4%	10 - 2500 l/h	0.2 - 8 bar	3/4" BSPT	0.04 - 100 l/h	16 mm	Irrigation/Livestock / Chlorine / Car Wash / Industry / Acid	1.8 KG
0.1% - 0.9% bypass	20 - 2500 l/h	0.2 - 8 bar	3/4" BSPT	0.02 - 22.5 l/h	8 mm	Irrigation / Livestock / Chlorine / Acid	1.9 KG
0.3% - 2% bypass	20 - 2500 l/h	0.2 - 8 bar	3/4" BSPT	0.06 - 50 l/h	10 mm	Irrigation / Livestock / Chlorine / Acid	1.9 KG
0.4% - 4% bypass	20 - 2500 l/h	0.2 - 8 bar	3/4" BSPT	0.08 - 100 l/h	16 mm	Irrigation / Livestock / Chlorine / Acid	1.9 KG
0.1% - 0.9% Internal bypass	20 - 2500 l/h	0.2 - 8 bar	3/4" BSPT	0.02 - 22.5 l/h	8 mm	Irrigation / Livestock / Chlorine / Acid	1.9 KG
0.3% - 2% Internal bypass	20 - 2500 l/h	0.2 - 8 bar	3/4" BSPT	0.06 - 50 l/h	10 mm	Irrigation / Livestock / Chlorine / Acid	1.9 KG
0.4% - 4% Internal bypass	20 - 2500 l/h	0.2 - 8 bar	3/4" BSPT	0.08 - 100 l/h	16 mm	Irrigation / Livestock / Chlorine / Acid	1.9 KG

\* Low flow 7 l/h available in P0 model

## Pressure Loss



## Max. injection rate/h

