



COMPRESSION FITTINGS FOR COPPER PIPE

530 Equal T coupling

Available sizes: 1/2"x1/2"x1/2", 3/4"x3/4"x3/4" eurokonus



530 available sizes: 1/2"x1/2"x1/2", 3/4"x3/4"x3/4" eurokonus

SIZE	CODE	PACKING
1/2"	5300012012	16/336
3/4"	5300034034	8/168

CERTIFICATIONS



TECHNICAL SPECIFICATIONS

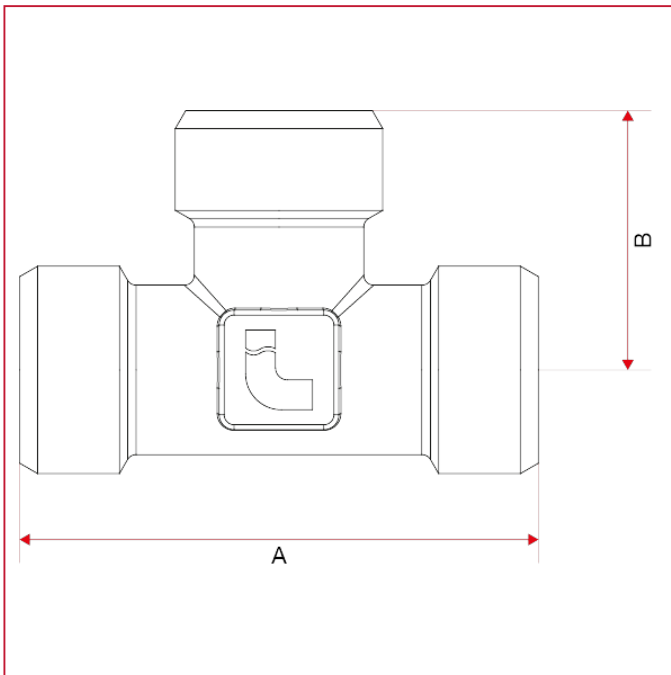
Male thread 1/2" equipped with a conical seat and inner diameter mm.16.

Male thread 3/4" eurokonus.

Male thread 1" equipped with a conical seat and inner diameter mm.22.

Maximum working pressure: 20 bar.

OVERALL DIMENSIONS



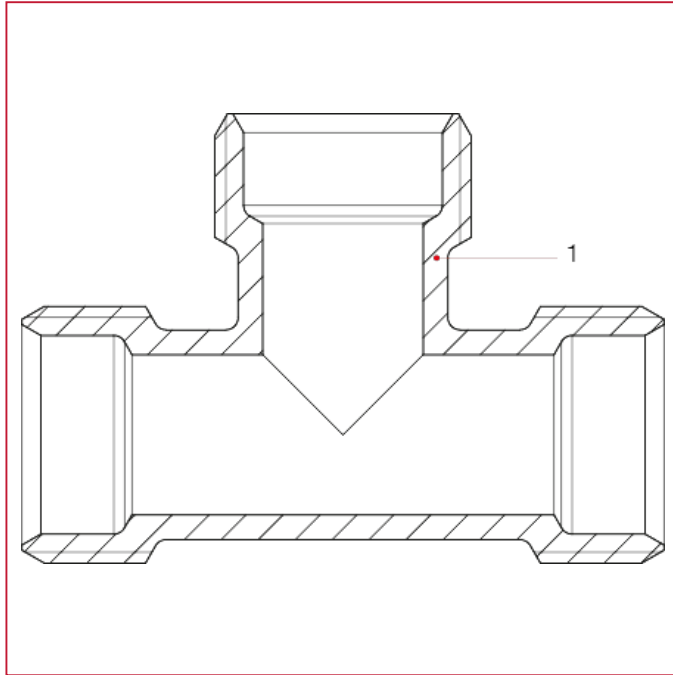


COMPRESSION FITTINGS FOR COPPER PIPE

530 available sizes: 1/2"x1/2"x1/2", 3/4"x3/4"x3/4" eurokonus

	1/2"	3/4"
A	52	64
B	26	32
Kg/cm2 bar	20	20
LBS - psi	290	290

MATERIALS



POS.	DESCRIPTION	N.	MATERIAL
1	Fitting	1	Nickel-plated brass CW617N