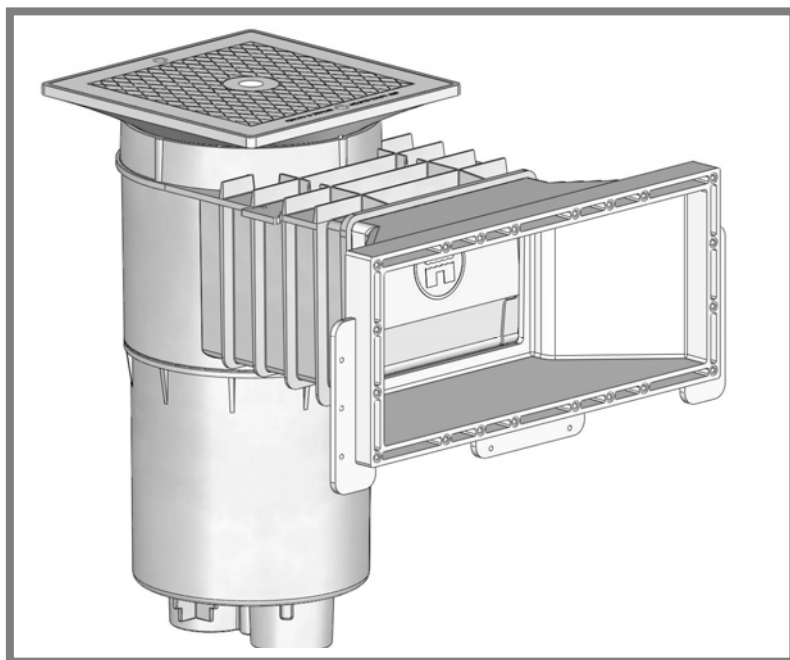
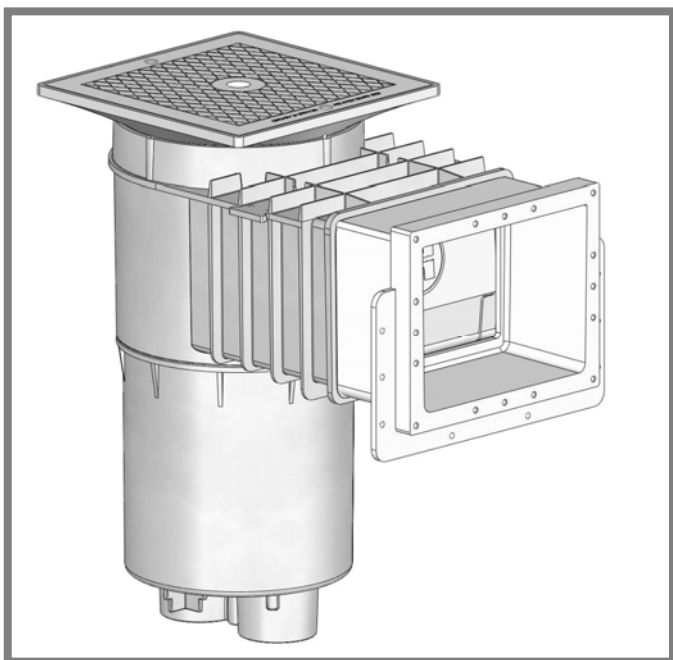




# SERIES AUTO-SKIM™

by **HAYWARD®**

## Owner's Manual



### AUTOMATIC SURFACE SKIMMER

Models SP1084-SP1085

### IMPORTANT SAFETY INSTRUCTIONS

Basic safety precautions should always be followed, including the following: Failure to follow instructions can cause severe injury and/or death.

**▲** This is the safety-alert symbol. When you see this symbol on your equipment or in this manual, look for one of the following signal words and be alert to the potential for personal injury.

**▲ WARNING** warns about hazards that **could** cause serious personal injury, death or major property damage and if ignored presents a potential hazard.

**▲ CAUTION** warns about hazards that **will** or **can** cause minor or moderate personal injury and/or property damage and if ignored presents a potential hazard. It can also make consumers aware of actions that are unpredictable and unsafe.

The **NOTICE** label indicates special instructions that are important but not related to hazards.

Hayward Pool Products  
 620 Division Street, Elizabeth, NJ 07207  
 Phone: (908) 351.5400  
[www.haywardnet.com](http://www.haywardnet.com)



**⚠ WARNING - Read and follow all instructions in this owner's manual and on the equipment. Failure to follow instructions can cause severe injury and/or death.**

**⚠ WARNING – Suction Entrapment Hazard.**

Suction in suction outlets and/or suction outlet covers which are, damaged, broken, cracked, missing, or unsecured can cause severe injury and/or death due to the following entrapment hazards:



**Hair Entrapment-** Hair can become entangled in suction outlet cover.



**Limb Entrapment-** A limb inserted into an opening of a suction outlet sump or suction outlet cover that is damaged, broken, cracked, missing, or not securely attached can result in a mechanical bind or swelling of the limb.

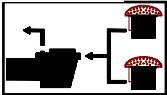


**Body Suction Entrapment-** A negative pressure applied to a large portion of the body or limbs can result in an entrapment.

**Evisceration/ Disembowelment -** A negative pressure applied directly to the intestines through an unprotected suction outlet sump or suction outlet cover which is, damaged, broken, cracked, missing, or unsecured can result in evisceration/ disembowelment.



**Mechanical Entrapment-** There is potential for jewelry, swimsuit, hair decorations, finger, toe or knuckle to be caught in an opening of a suction outlet cover resulting in mechanical entrapment.



**⚠ WARNING - To Reduce the risk of Entrapment Hazards:**

- o When outlets are small enough to be blocked by a person, a minimum of two functioning suction outlets per pump must be installed. Suction outlets in the same plane (i.e. floor or wall), must be installed a minimum of three feet (3') [1 meter] apart, as measured from near point to near point.
- o Dual suction fittings shall be placed in such locations and distances to avoid “dual blockage” by a user.
- o Dual suction fittings shall not be located on seating areas or on the backrest for such seating areas.
- o The maximum system flow rate shall not exceed the flow rating of as listed on Table 1.
- o Never use Pool or Spa if any suction outlet component is damaged, broken, cracked, missing, or not securely attached.
- o Replace damaged, broken, cracked, missing, or not securely attached suction outlet components immediately.
- o In addition two or more suction outlets per pump installed in accordance with latest ASME, APSP Standards and CPSC guidelines, follow all National, State, and Local codes applicable.
- o Installation of a vacuum release or vent system, which relieves entrapping suction, is recommended.

**⚠ WARNING – Failure to remove pressure test plugs and/or plugs used in winterization of the pool/spa from the suction outlets can result in an increase potential for suction entrapment as described above.**

**⚠ WARNING – Failure to keep suction outlet components clear of debris, such as leaves, dirt, hair, paper and other material can result in an increase potential for suction entrapment as described above.**

**⚠ WARNING – Suction outlet components have a finite life, the cover/grate should be inspected frequently and replaced at least every ten years or if found to be damaged, broken, cracked, missing, or not securely attached.**

**⚠ CAUTION – Components such as the filtration system, pumps and heater must be positioned so as to prevent their being used as means of access to the pool by young children.**

**⚠ WARNING – Never operate or test the circulation system at more than 50 PSI.**

**⚠ WARNING – Never change the filter control valve position while the pump is running.**

**⚠ WARNING – To reduce risk of injury, do not permit children to use or climb on this product. Closely supervise children at all times. Components such as the filtration system, pumps, and heaters must be positioned to prevent children from using them as a means of access to the pool.**



**⚠ WARNING – Hazardous Pressure.** Pool and spa water circulation systems operate under hazardous pressure during start up, normal operation, and after pump shut off. Stand clear of circulation system equipment during pump start up. Failure to follow safety and operation instructions could result in violent separation of the pump housing and cover, and/or filter housing and clamp due to pressure in the system, which could cause property damage, severe personal injury, or death. Before servicing pool and spa water circulation system, all system and pump controls must be in off position and filter manual air relief valve must be in open position. Before starting system pump, all system valves must be set in a position to allow system water to return back to the pool. Do not change filter control valve position while system pump is running. Before starting system pump, fully open filter manual air relief valve. Do not close filter manual air relief valve until a steady stream of water (not air or air and water) is discharged.



**⚠ WARNING – Separation Hazard.** Failure to follow safety and operation instructions could result in violent separation of pump and/or filter components. Strainer cover must be properly secured to pump housing with strainer cover lock ring. Before servicing pool and spa circulation system, filters manual air relief valve must be in open position. Do not operate pool and spa circulation system if a system component is not assembled properly, damaged, or missing. Do not operate pool and spa circulation system unless filter manual air relief valve body is in locked position in filter upper body.



**⚠️ WARNING – Risk of Electric Shock.** All electrical wiring MUST be in conformance with applicable local codes, regulations, and the National Electric Code (NEC). Hazardous voltage can shock, burn, and cause death or serious property damage. To reduce the risk of electric shock, do NOT use an extension cord to connect unit to electric supply. Provide a properly located electrical receptacle. Before working on any electrical equipment, turn off power supply to the equipment.

**⚠️ WARNING** – To reduce the risk of electric shock replace damaged wiring immediately. Locate conduit to prevent abuse from lawn mowers, hedge trimmers and other equipment.

**⚠️ WARNING** – Electrical ground all electrical equipment before connecting to electrical power supply. Failure to ground all electrical equipment can cause serious or fatal electrical shock hazard.

**⚠️ WARNING** – Do NOT ground to a gas supply line.

**⚠️ WARNING** – To avoid dangerous or fatal electrical shock, turn OFF power to all electrical equipment before working on electrical connections.

**⚠️ WARNING** – Failure to bond all electrical equipment to pool structure will increase risk for electrocution and could result in injury or death. To reduce the risk of electric shock, see installation instructions and consult a professional electrician on how to bond all electrical equipment. Also, contact a licensed electrician for information on local electrical codes for bonding requirements.

**Notes to electrician:** Use a solid copper conductor, size 8 or larger. Run a continuous wire from external bonding lug to reinforcing rod or mesh. Connect a No. 8 AWG (8.4 mm<sup>2</sup>) [No. 6 AWG (13.3 mm<sup>2</sup>) for Canada] solid copper bonding wire to the pressure wire connector provided on the electrical equipment and to all metal parts of swimming pool, spa, or hot tub, and metal piping (except gas piping), and conduit within 5 ft. (1.5 m) of inside walls of swimming pool, spa, or hot tub.

**IMPORTANT** - Reference NEC codes for all wiring standards including, but not limited to, grounding, bonding and other general wiring procedures.

**⚠️ WARNING** – Risk of Electric Shock. Connect only to a branch circuit protected by a ground-fault circuit-interrupter (GFCI). Contact a qualified electrician if you cannot verify that the circuit is protected by a GFCI.

\* **WARNING** – Risk of Electric Shock . The electrical equipment must be connected only to a supply circuit that is protected by a ground-fault circuit-interrupter (GFCI). Such a GFCI should be provided by the installer and should be tested on a routine basis. To test the GFCI, push the test button. The GFCI should interrupt power. Push reset button. Power should be restored. If the GFCI fails to operate in this manner, the GFCI is defective. If the GFCI interrupts power to the electrical equipment without the test button being pushed, a ground current is flowing, indicating the possibility of an electrical shock. Do not use this electrical equipment. Disconnect the electrical equipment and have the problem corrected by a qualified service representative before using.

\* **CAUTION** – This pump is intended for use with permanently-installed pools and may be used with hot tubs and spas if so marked. Do not use with storable pools. A permanently-installed pool is constructed in or on the ground or in a building such that it cannot be readily disassembled for storage. A storable pool is constructed so that it is capable of being readily disassembled for storage and reassembled to its original integrity.

### SAVE THESE INSTRUCTIONS

## HAYWARD® Pool Products Limited Warranty

To original purchasers of this equipment, Hayward Pool Products, Inc. warrants its skimmers to be free from defects in materials and workmanship for a period of ONE (1) year from the date of purchase, when used in single family residential applications.

The limited warranty excludes damage from freezing, negligence, improper installation, improper use or care or any Acts of God. Parts that fail or become defective during the warranty period shall be repaired or replaced, at our option, within 90 days of the receipt of defective product, barring unforeseen delays, without charge.

Proof of purchase is required for warranty service. In the event proof of purchase is not available, the manufacturing date of the product will be the sole determination of the purchase date.

To obtain warranty service, please contact the place of purchase or the nearest Hayward Authorized Service Center. For assistance on your nearest Hayward Authorized Service Center please visit us at [www.haywardpool.com](http://www.haywardpool.com).

Hayward shall not be responsible for cartage, removal, repair or installation labor or any other such costs incurred in obtaining warranty replacements or repair.

The Hayward Pool products warranty does not apply to components manufactured by others. For such products, the warranty established by the respective manufacturer will apply.

The express limited warranty above constitutes the entire warranty of Hayward Pool Products with respect to its' pool products and is in lieu of all other warranties expressed or implied, including warranties of merchantability or fitness for a particular purpose. In no event shall Hayward Pool products be responsible for any consequential, special or incidental damages of any nature.

Some states do not allow a limitation on how long an implied warranty lasts, or the exclusion of incidental or consequential damages, so the above limitation may not apply to you. This warranty gives you specific legal rights, and you may also have other rights, which vary from state to state.

\*Supersedes all previous publications.

Hayward Pool Products  
620 Division Street  
Elizabeth, NJ 07207

USE ONLY HAYWARD GENUINE REPLACEMENT PARTS

## INSTALLATION INSTRUCTIONS:

The SP1084/1085 Series Auto-Skim™ is a rugged and versatile automatic surface skimmer molded of non-corrosive ABS for residential or commercial installations. The SP1084/1085 is the basic skimmer unit, featuring totally corrosion-proof, body, adjustable deck collar and square access cover, self-adjusting weir, large debris basket, and multiple plumbing connections for easier installation. The optional SP1082FV Float Valve/By-Pass Assembly installs easily in the SP1084 / SP1085 basic skimmer to provide a suction outlet thru-skimmer system and an auto safety by-pass for low water conditions.

Where required for commercial installations, the SP1082FVEKIT Float Valve and Equalizer Valve Kit and cover WG1082E can easily adapt the skimmer of your choice for commercial application. Refer to illustrations for details.

### BASIC SKIMMER UNIT

**FLOW ADJUSTMENT** For full flow, move Flo-Control Slide Plate to full open. To adjust flow, move Slide Plate to desired position over pump outlet.

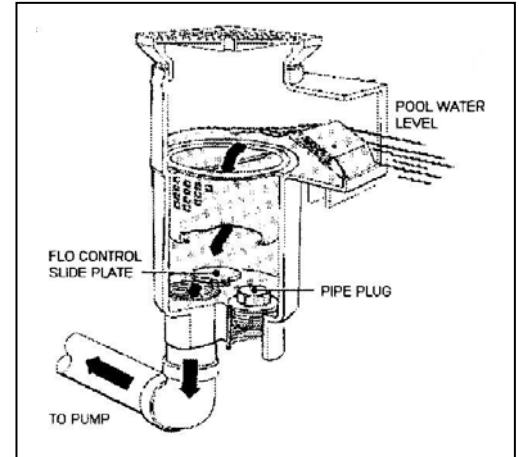
**TO VACUUM** Remove cover and basket. Screw hose adapter into pump outlet. Fill vacuum hose with water and insert over hose adapter. Or use optional SP1106 or SP1107 Skim-Vac over basket vacuum plate.

### SKIMMER INSTALLED WITH SUCTION OUTLET CONNECTION AND SP1082GV VALVE.

**FULL SKIM-** Place valve lever in straight-up position. Open Slide Plate.  
**FULL SUCTION OUTLET (SWEEP)-**Place Valve Lever in down position. Close Slide Valve

**1/2 SKIM – 1/2 SUCTION OUTLET-** Place Valve Lever at 45°. – Open Slide Plate 1/2.

**WARNING:** To prevent hair or body entrapment, a suction outlet fitting conforming to ANSI/ASME A112.19.8 must be installed.



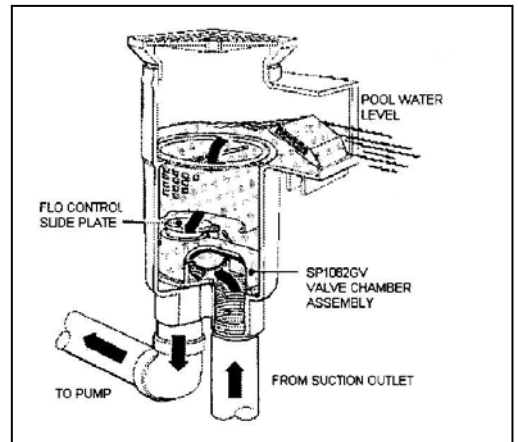
### SKIMMER INSTALLED WITH SUCTION OUTLET CONNECTION AND FLOAT VALVE.

When used with the SP1082FV Float Valve, water is drawn by pump suction from the surface of the pool and from the suction outlet line. Flow is balanced by means of the Flo- Control Trimmer Plate under the float valve assembly. If obstruction to flow or evaporation occurs, causing a significant reduction of flow over the weir, the float will automatically snap shut. This diverts all flow to the pump from the suction outlet line and prevents possible air lock. When the pump is shut off, the float will rise back to the top of the float valve assembly, allowing for normal operation.

**WARNING:** To prevent hair or body entrapment, a suction outlet fitting conforming to ANSI/ASME A112.19.8 must be installed.

**TO SWEEP / BRUSH** To divert all suction to the suction outlet, simply hold the weir up above normal operating level and allow the float to "snap" shut. Or, lift out float valve assembly, close flo-control plate and replace. To reset float after sweeping, turn off pump for 10-15 seconds and allow float to rise.

**TO VACUUM** Remove cover, basket and float valve assembly. Screw hose adapter into pump outlet. Fill vacuum hose with water and insert over hose adapter. Or use optional SP1106 Skim-Vac. If Skim-Vac is used, block off suction outlet port for maximum efficiency.

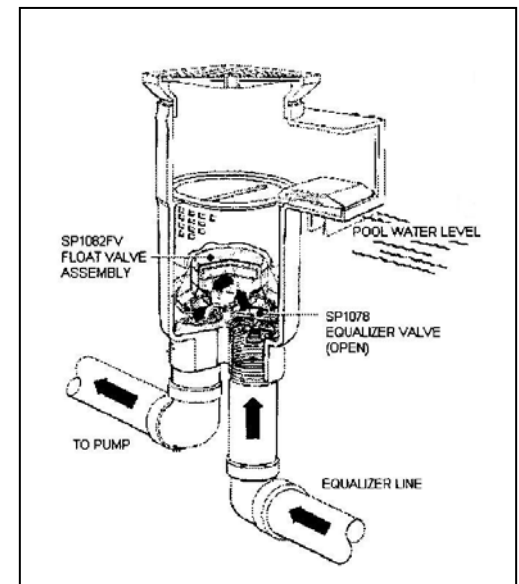


### SKIMMER INSTALLED WITH EQUALIZER VALVE AND FLOAT VALVE

When using SP1082FVEKIT for commercial application, the Equalizer Check Valve installs over front port, and is used in conjunction with the Float Valve. If water level drops below skimmer opening, or if skimmer flow is obstructed, the float will automatically snap shut and the equalizer valve will open. This diverts all flow to the pump from the equalizer line and prevents airlock in the pump. When the pump is shut off, and the water level condition is corrected, the float will rise and the equalizer valve will close, allowing normal skimming operation when the pump is restarted.

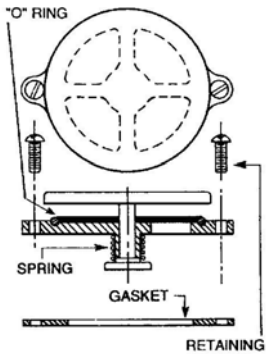
**WARNING:** To prevent hair or body entrapment at the skimmer equalizer, a equalizer wall or a suction outlet fitting conforming to ANSI/ASME A112.19.8 must be installed.

FLOW RATING				
	MAXIMUM		MINIMUM	
PIPE	GPM	LPM	GPM	LPM
1 1/2"	36	136	10	37
2"	55	206	10	37



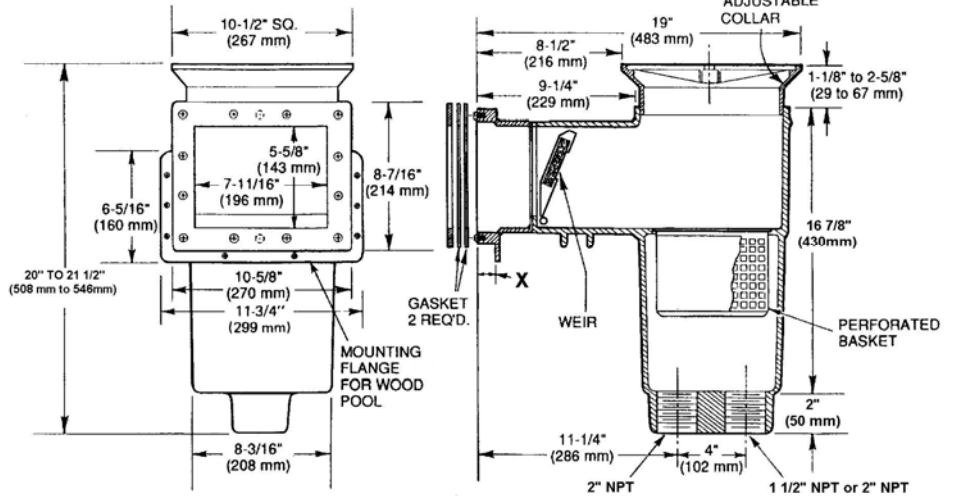
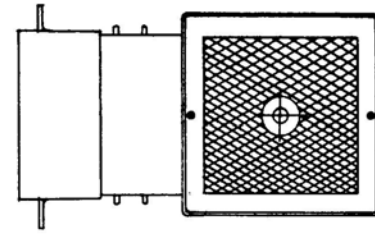
**USE ONLY HAYWARD GENUINE REPLACEMENT PARTS**

## EQUALIZER VALVE ASSEMBLY SP1078

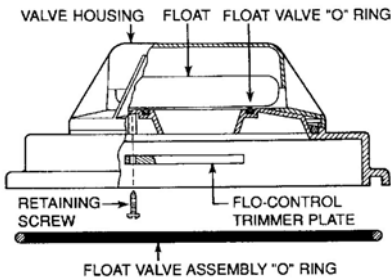


1. Place gasket over equalizer port. (Normally the port closest to the pool.) Align the holes in the gasket with the skimmer body.
2. Place Equalizer Assembly over gasket.
3. Insert the screws through the ear tabs and gasket. Tighten retaining screws.

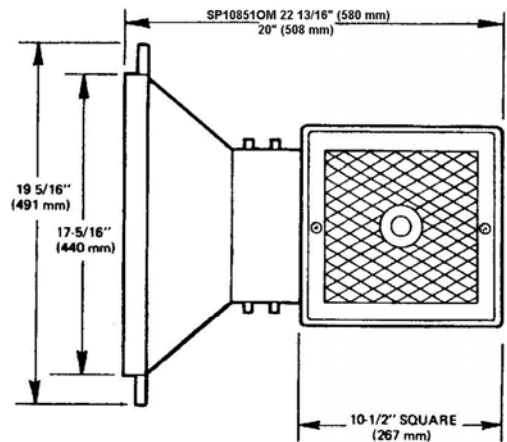
Part No.	"X" Inch
Sp10841	3/4
Sp10841R	3/4
SP10841OM	3/32
SP10841OMR	3/32
SP1084	3/4



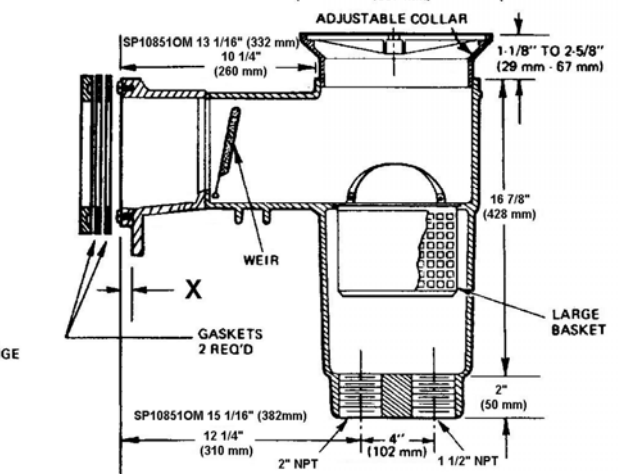
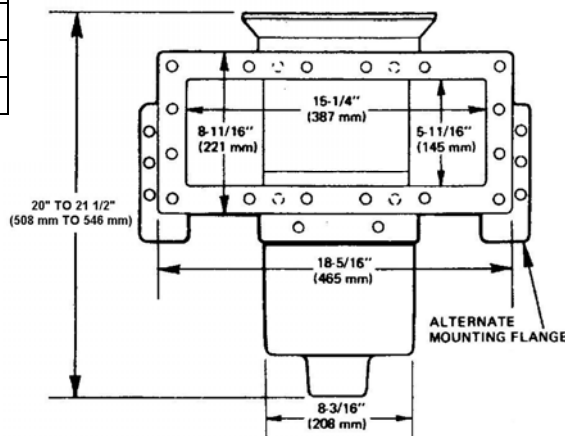
## SKIMMER / SUCTION OUTLET FLOAT BY-PASS SP1082FV



1. From body of skimmer remove pipe plug (in installed), screw and Flo-Control Slide Plate (if installed).
2. Using the screw provided, attach the Flo-Control Trimmer Plate to float assembly.
3. Place Float Valve Assembly in place, assuring the o-ring is in place, into the skimmer. Adjust Flo-Control Trimmer Plate as desired.

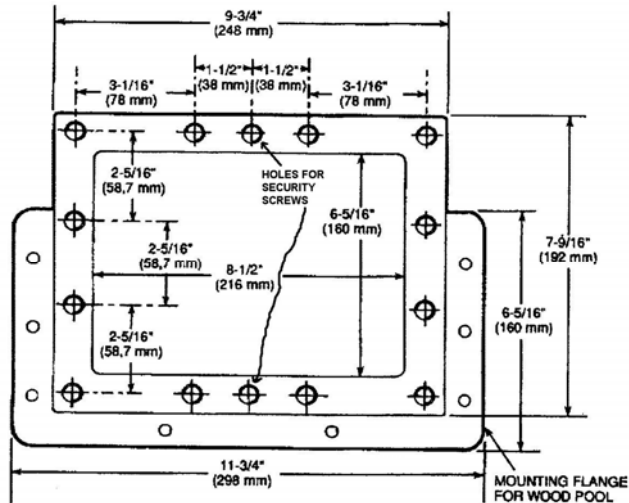


Part No.	X inch
SP10851OM	3/32
SP10852	3/4
SP10852OM	3/32



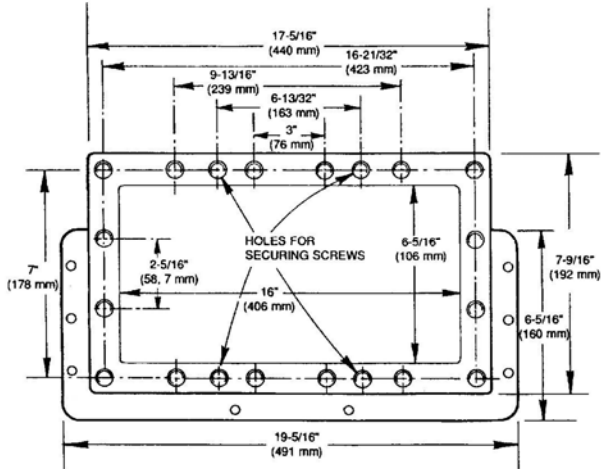
USE ONLY HAYWARD GENUINE REPLACEMENT PARTS

### SP1084 SERIES



CUT OUT PANEL : A-HEIGHT MAX 6 1/4" (150mm) Min 6" (152mm)  
 B-WIDTH MAX 8 1/4" (210mm) MIN 8" (203mm)  
 DRILL or PUNCH 14 HOLES 1/4" DIAMETER AS SHOWN, TWELVE (12)  
 FOR THRU HOLES , TWO (2) FOR SECURING SCREWS

### SP1085 SERIES



CUT OUT PANEL : A-HEIGHT MAX 6 1/4" (150mm) Min 6" (152mm)  
 B-WIDTH MAX 15 13/16" (210mm) MIN 15 9/16" (203mm)  
 DRILL or PUNCH 20 HOLES 1/4" DIAMETER AS SHOWN, TWELVE (16)  
 FOR THRU HOLES , TWO (4) FOR SECURING SCREWS

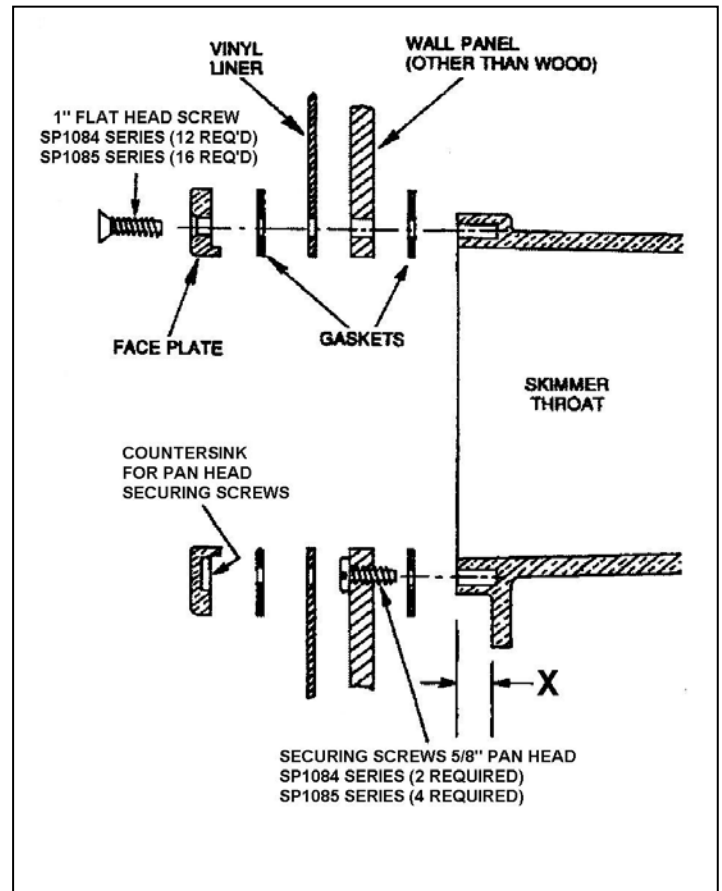
#### INSTRUCTIONS FOR OTHER THAN WOOD PANEL

1. Drill and cut wall panel section per above dimensions
2. Place gasket on skimmer face, making sure holes in gasket align with holes in skimmer face. (A very light application of silicon sealant will assist in holding gasket in place.)
3. Align skimmer face and gasket with drilled panel holes and fasten to wall panel at top center and bottom center (For SP1084 Series) with the pan head securing screws. Use appropriate holes and four screws for SP1085 Series.
4. If vinyl liner pool, install liner before proceeding to step 5.
5. Align second gasket and face plate. Tightly fasten the skimmer face with the 1" long flat head screws. Sp1084 series (12) Sp1085 Series (16). **If vinyl liner pool, pierce liner through face plate holes one at a time prior to inserting screws.** Screws must go through Face Plate, Gasket, Liner, Wall Panel, Gasket, and into Skimmer Face.
6. If vinyl liner pool, cut out liner along inside edge of Face Plate.

5. Align second gasket and face plate. Fasten tightly to skimmer face with 1" screws. Sp1084 series (12) Sp1085 Series (16). **Pierce liner through face plate holes one at a time by inserting screws.**
6. Cut out liner along inside edge of Face Plate.

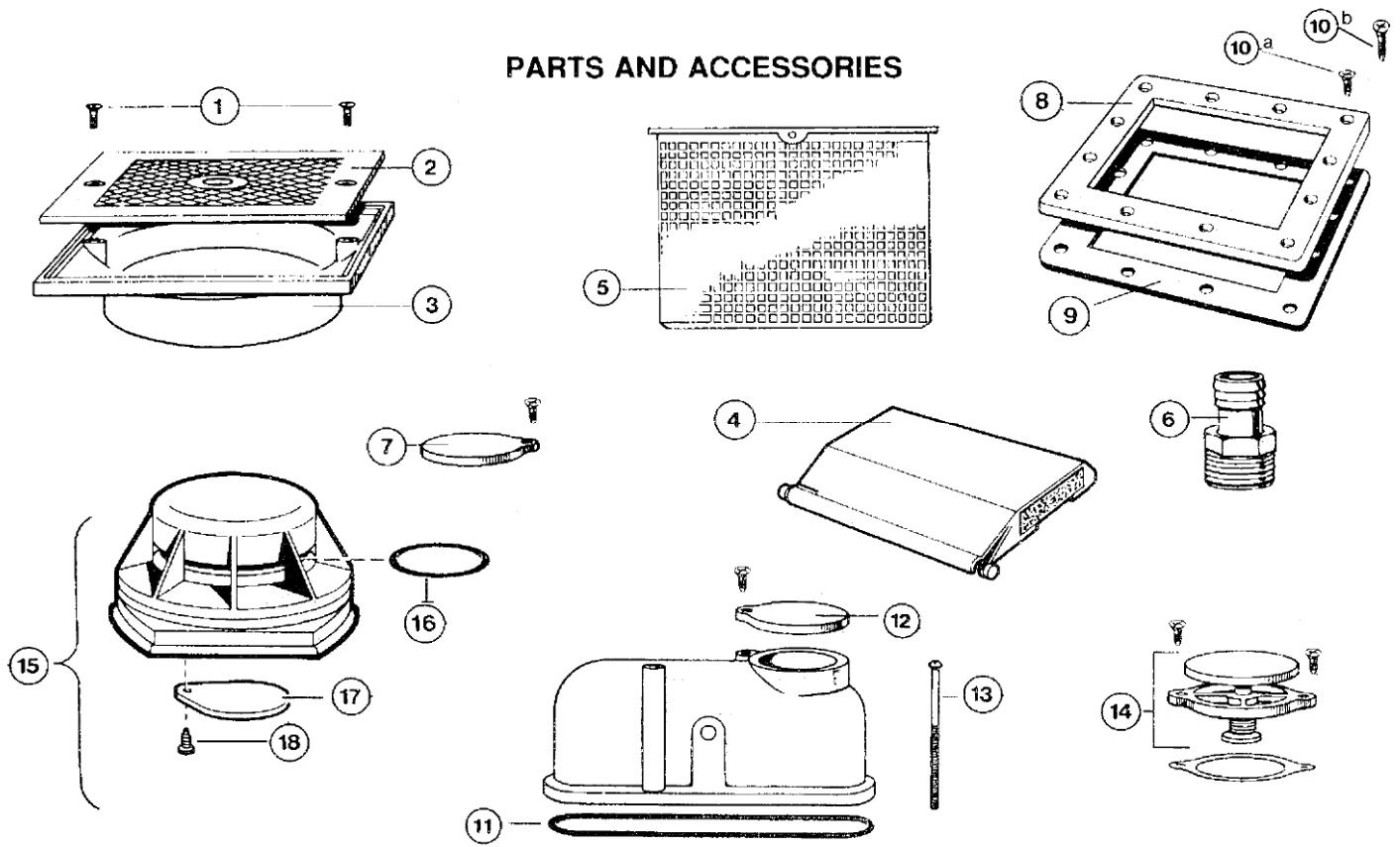
#### INSTRUCTIONS FOR WOOD PANEL WITH VINYL LINER

1. Cut out wall panel approximately 1/8" larger than *outside* dimensions of skimmer face (NOT Face Plate)
2. Insert skimmer into panel cut out from rear. Butt the mounting flange against the rear of the panel. Use "U" shims, if necessary to make the face of the skimmer flush with the inside of the pool. Fasten the skimmer to the rear of the wood panel by securing with stainless or brass wood screws through the skimmer mounting flange.
3. Place gasket on skimmer face, make sure the holes in the gasket align with holes in skimmer face. (A very light application of silicon sealant will assist in holding gasket in place.)
4. Install vinyl liner.



USE ONLY HAYWARD GENUINE REPLACEMENT PARTS

### PARTS AND ACCESSORIES



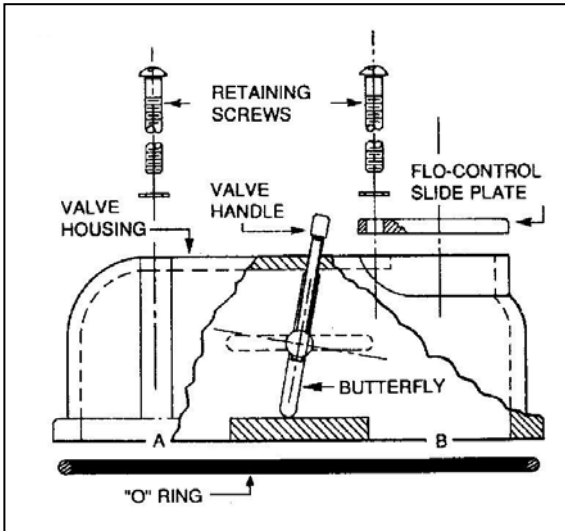
REF NO.	PART NUMBER	DESCRIPTION	NO. REQ'D
1	SPX1082Z1	COVER RETAINING SCREW	2
2	SPX1082E*	COVER - SQUARE	1
2	WGX1082E	COVER - SQUARE FOR COMMERCIAL APPLICATIONS	
2	SPX1084R	COVER - ROUND	
3	SPX1082F	ADJUSTING COLLAR - SQUARE	1
4	SPX1082K*	WEIR ASSEMBLY	1
5	SPX1082CA	BASKET	1
6	SPX1082Z3	VACUUM ADAPTER	1
7	SPX1082H1	FLO-CONTROL SLIDE PLATE	1
8	SPX1048L*	FACE PLATE ( SP1084)	1
8a	SPX1085B*	FACE PLATE (SP1085) WIDE TRACK	1
9	SPX1084B	GASKET (SP1084)	2
9	SPX1085D	GASKET (SP1085) WIDE TRACK	2
10	SPX1084Z4	SCREW SET CONTAINING 12 SHORT FLAT HEAD SCREWS AND 2 PAN HEAD SCREWS	1
10	SPX1084Z4AM	SCREW SET CONTAINING 12 LONG FLAT HEAD SCREWS AND 2 PAN HEAD SCREWS	1
10	SPX1085Z1	SCREW SET CONTAINING 16 SHORT FLAT HEAD SCREWS AND 2 PAN HEAD SCREWS FOR WIDE TRACK	1
10	SPX1085Z1AM	SCREW SET CONTAINING 16 LONG FLAT HEAD SCREWS AND 4 PAN HEAD SCREWS FOR WIDE TRACK	1

\* Add GR, DGR, or BLK suffix for Gray, Dark Gray or Black

11	SPX1082Z5B	O-RING	1
12	SPX1082H1A	FLO-CONTROL SLIDE PLATE	1
13	SPX1082Z6	RETAINING SCREW	2
14	SP1078	EQUALIZER VALVE ASSEMBLY	1
15	SP1082FV	FLOAT VALVE ASSEMBLY	1
16	SPX1070Z2	FLOAT VALVE O-RING	1
17	SPX1070FA	FLO-CONTROL PLATE	1
18	SPX1070Z6	RETAINING SCREW	1
19	SP1082GV	SKIMMER VALVE ASSEMBLY	
20	SP1106	ASSEMBLY SKIM-VAC PLATE W/ GASKET (NOT PICTURED)	
21	SP1107	SKIM-VAC PLATE (NOT PICTURED)	

**USE ONLY HAYWARD GENUINE REPLACEMENT PARTS**





**INSTALLATION INSTRUCTIONS  
VALVE ASSEMBLY, SKIMMER SUCTION OUTLET  
SP1082GV**

1. From the bottom of the strainer body, remove the pipe plug and original slide plate (if installed).
2. Insert O-ring in SP1082GV Valve housing. Place assembly on the bottom of the skimmer. Port "A" (The one without the hole in the top) goes over the Suction Outlet (Main Drain) port. Port "B" over the PUMP PORT (Normally the rear connection.)
3. Insert front Retaining Screw, through washer and valve body , screw lightly into skimmer body.
4. Insert rear Retaining screw through washer SP1082H Flo-Control Slide Plate and valve body. Screw down firmly into skimmer body.
5. Tighten the front retaining screw.

**PRODUCT REGISTRATION  
(Retain For Your Records)**

**DATE OF INSTALLATION** \_\_\_\_\_

▲ Retain this Warranty Certificate (upper portion) in a safe and convenient location for your records.



DETACH HERE: Fill out bottom portion completely and mail within 10 days of purchase/installation or register online.

**AUTOMATIC SURFACE SKIMMER**

**Warranty Card Registration**

Register online at [www.haywardnet.com](http://www.haywardnet.com)

Please Print Clearly:

First Name \_\_\_\_\_ Last Name \_\_\_\_\_  
 Street Address \_\_\_\_\_  
 City \_\_\_\_\_ State \_\_\_\_\_ Zip \_\_\_\_\_  
 Phone Number \_\_\_\_\_ Purchase Date \_\_\_\_\_  
 E-Mail Address \_\_\_\_\_

Model Number \_\_\_\_\_  
 Pool Capacity \_\_\_\_\_ (U.S. Gallons)

Please include me on all e-mail communications regarding Hayward® Equipment or promotions.

Mail to: Hayward Pool Products, 620 Division Street, Elizabeth, NJ 07207

Attn: Warranty Dept

Or REGISTER YOUR WARRANTY ON-LINE AT [WWW.HAYWARDNET.COM](http://WWW.HAYWARDNET.COM)

Years Pool has been in service  
 < 1 year  1-3  4-5  6-10  11-15  >15  
 Purchased from \_\_\_\_\_  
 Builder  Retailer  Pool Service  Internet/Catalog  
 Company Name \_\_\_\_\_  
 Address \_\_\_\_\_  
 City \_\_\_\_\_ State \_\_\_\_\_ Zip \_\_\_\_\_  
 Phone \_\_\_\_\_

Type of Pool:  
 Concrete/Gunite  Vinyl  Fiberglass  
 Other \_\_\_\_\_

New Installation  Replacement

Installation for:  
 In Ground  Above Ground  Spa



Hayward is a registered trademark of Hayward Industries, Inc.