



# FITTINGS FOR MULTILAYER, PEX AND POLYBUTYLENE PIPE

## 578 Metal template with 2 backplate elbows



SIZE	CODE	PACKING
1/2"	578012012	4/56
3/4"	578034034	4/56

### CERTIFICATIONS



### TECHNICAL SPECIFICATIONS

It allows the greatest accuracy during the installation of Multi-Fit® fittings.

Centres distances: mm.100, mm.127, mm.150, mm.177, mm.200.

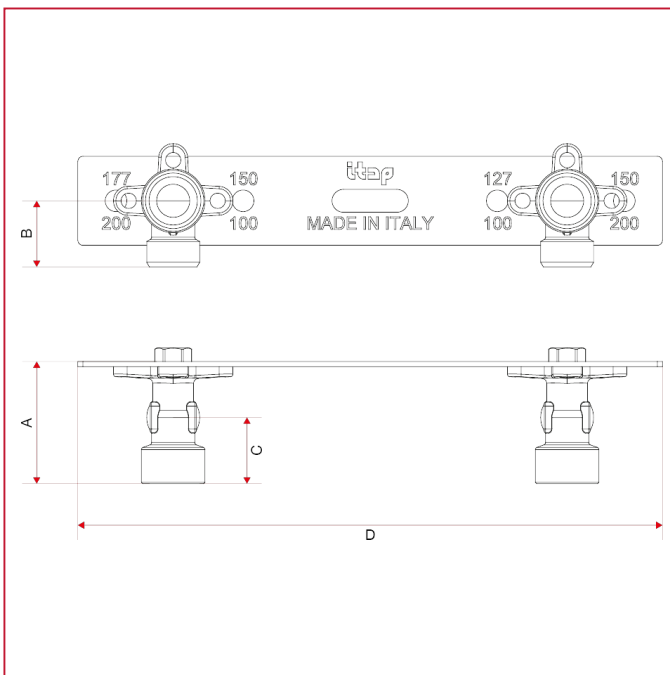
Available sizes: 1/2"x1/2", 3/4"x3/4" eurokonus.

Male thread 1/2" equipped with a conical seat and inner diameter mm.16.

Male thread 3/4" eurokonus.

Maximum working pressure: 20 bar.

### OVERALL DIMENSIONS

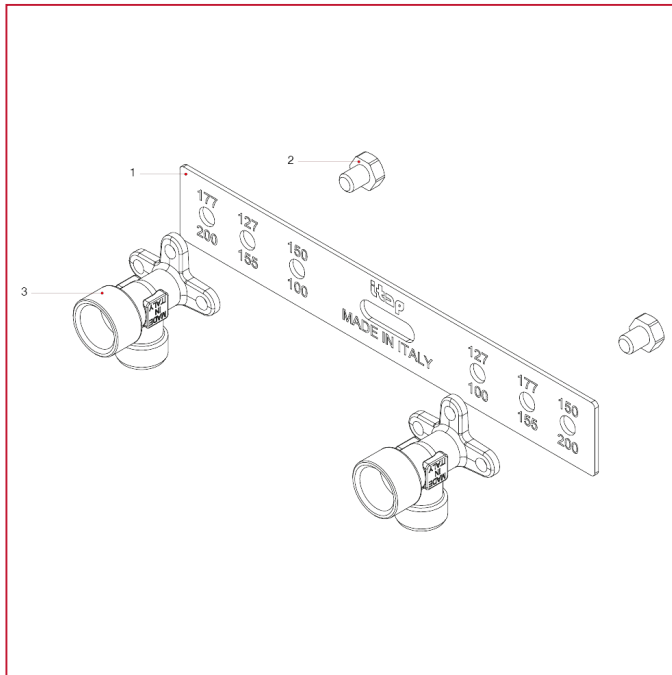




# FITTINGS FOR MULTILAYER, PEX AND POLYBUTYLENE PIPE

	1/2"	3/4"
A	48	56
B	26	32
C	26	32
D	230	230
Kg/cm2 bar	20	20
LBS - psi	290	290

## MATERIALS



POS.	DESCRIPTION	N.	MATERIAL
1	Template	1	Steel P11
2	Screw	2	Fe
3	Elbow fitting	2	Nickel-plated brass CW617N