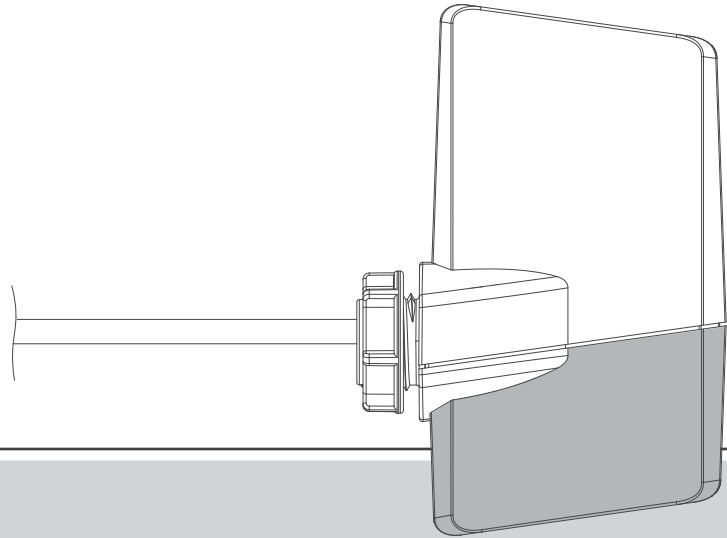


LANKIT

INSTALLATION GUIDE



LANKIT for
Centralus™ Irrigation Management Platform
for ICC2 Controllers

Hunter®

You will need the following to set up your device:

- **A router with an Ethernet connection:** To connect to the LANKIT, you must run an Ethernet cable from your internet router to the LANKIT.
- A Hunter ICC2 controller with a LANKIT and correlating serial number.
- Your Hunter SSO login information: Log in at <https://sso.hunterindustries.com>. If necessary, create a new account for free.

Need more helpful information on your product? Find tips on installation, controller programming, and more.



centralus.hunterindustries.com/support



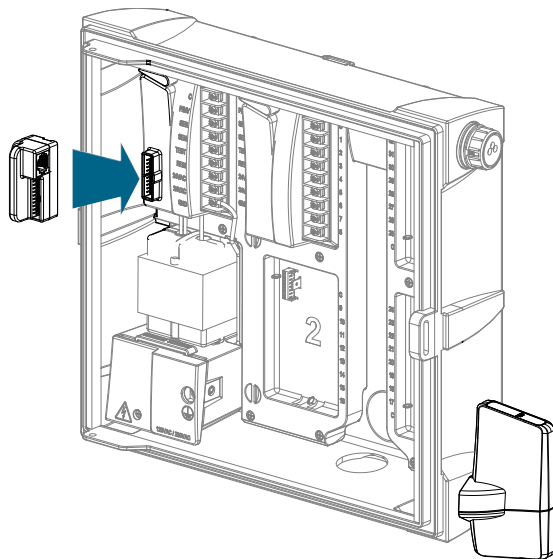
1-800-733-2823

Table of Contents

- 4** Installing the LANKIT
- 7** Setting Up Communications
- 8** Troubleshooting the Connection
- 9** Software Setup
- 13** Compatibility
- 13** U.S. FCC Statement
- 14** Notices
 - 14** Industry Canada Notice
 - 14** Declaration d'Industrie Canada
 - 14** Certificate of Conformity to European Directives
- 15** Notes

Installing the LANKIT

- Turn off the AC power to the controller.
- Disconnect the ribbon cable from the power module in the upper left side of the controller.
- Plug the LANKIT adapter into the power module.
- Plug the ribbon cable from the facepack into the adapter.



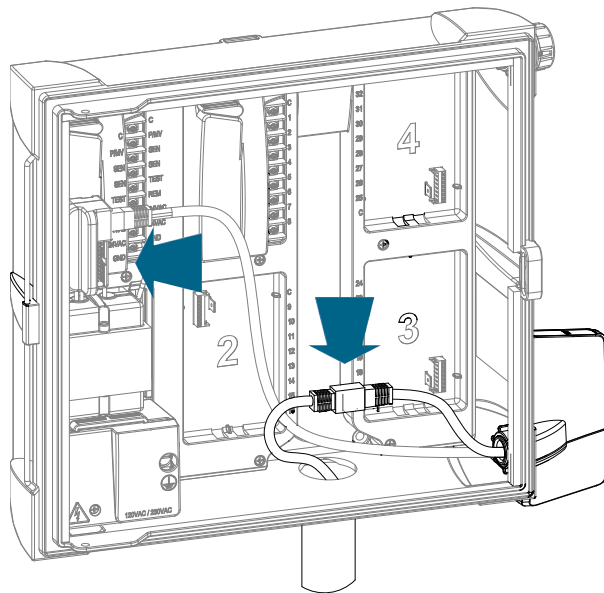
Installing the LANKIT

- Connect the gray data cable from the LANKIT to the ribbon cable adapter.
- The individual red and black wires are not used at this time. Simply fold them out of the way.
- Route an Ethernet cable from your router into your ICC2 controller. You can use any open knockouts on the bottom of the controller to get the cable into the cabinet. Using the supplied female x female Ethernet cable adapter, connect the cable from your router to the black cable coming from the LANKIT.
- Restore power to the controller and verify that a light appears on the LANKIT.

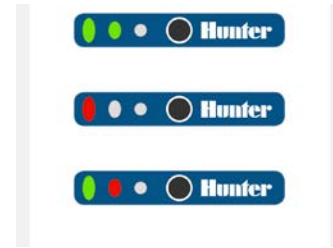


CAUTION

Never plug the black, shorter network cable into the controller's ribbon cable adapter. This will permanently damage the LANKIT.



1. Once all cables are plugged in and power is restored to the controller, the LANKIT will immediately begin searching for your internet access point. While the LANKIT is attempting to connect, the LEDs will initially blink multiple times, and then the leftmost LED will remain solid red while searching for your network.
2. To verify if your LANKIT has successfully connected to both your internet network and the Centralus server, compare your display to the sample views on the screen.



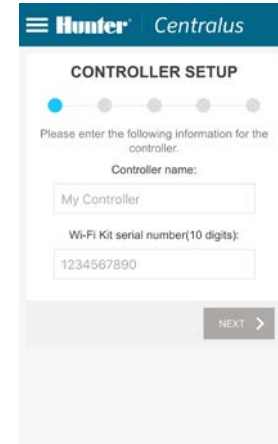
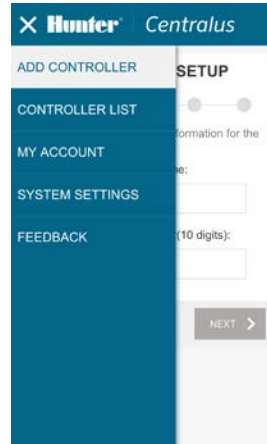
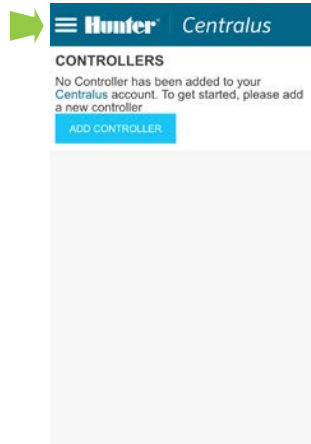
Troubleshooting the Connection

- If the first two LEDs are solid green, the attempt was successful. The LANKIT is now connected to both the router and the Centralus server. Proceed to Software Setup.
- If the first light remains solid red after an extended period (up to two minutes), the connection attempt was unsuccessful.
 - Cycle power to the LANKIT and retry the connection.
 - Double-check that the router is operating properly. Reset the router if necessary.
- If the first light turns green, but the second light is red, the LANKIT was able to connect to the router, but not to the Centralus server.
 - Check the internet connection from the router and retry.

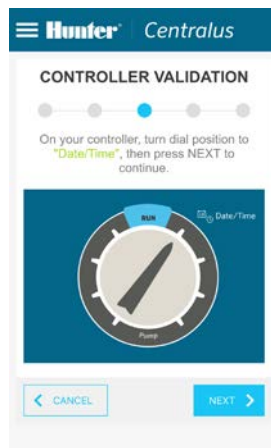
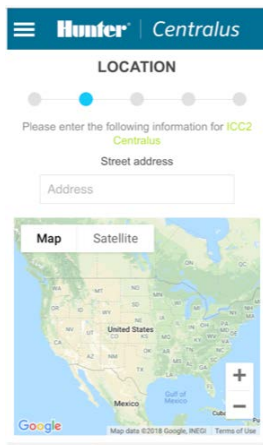


Software Setup

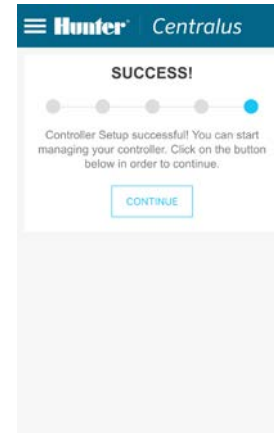
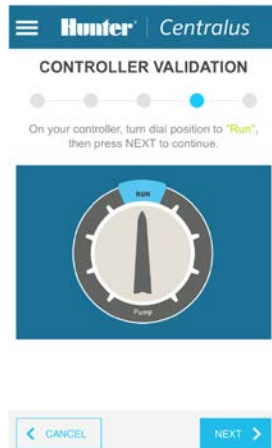
1. Go to <http://centralus.hunterindustries.com>.
2. Log in using your Hunter SSO email and password.
3. Click the menu icon at the top left of the screen.
4. Click “Add Controller.”
5. Enter a name for your controller. Then enter the LANKIT serial number (located on the spine of the LANKIT) and click “Next.” Do not enter dashes in the serial number.



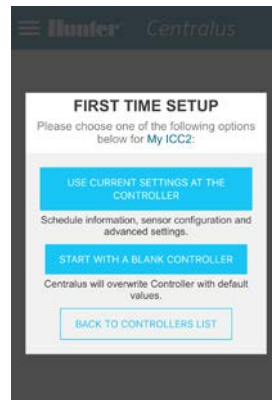
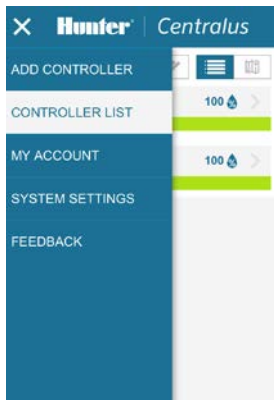
6. Enter the controller address. Then select the correct Google Maps™ address from the drop-down menu and click “Next.”
7. To verify the device for security purposes, the screen will ask you to rotate the dial to a random position. Turn the controller dial to the requested position and then click “Next.”



- If the software sees you have selected the correct dial position, it will instruct you to return the dial to the Run position. Turn the dial position to “Run” and then click “Next.” If the verification fails, the software will select a new dial position and ask you to turn to that position. This step must be completed before finalizing the controller setup.
- After successful controller setup, click “Continue” to begin programming your controller.



10. Navigate to the Controller List tab from the menu icon and select your new controller.
11. You may be prompted to update your firmware when first connecting. Click the “Update Firmware” button to automatically obtain the latest controller operating system. This process will take approximately 11 minutes with a good connection.
12. Open the Schedule tab. You will be prompted to choose the existing settings from the controller or start with a blank controller. This will allow you to either import any existing scheduling and settings from the controller to the software, or to reset the controller programming and start fresh.



U.S. FCC Statement

This equipment generates, uses, and can radiate radio frequency energy and, if not installed and used in accordance with the manufacturer's instruction manual, may cause interference with radio and television reception. This equipment has been tested and found to comply with the limits for a Class B digital device, pursuant to part 15 of the FCC Rules. Operation is subject to the following two conditions:

1. This device may not cause harmful interference.
2. This device must accept any interference received, including interference that may cause undesired operation.

Notice: The FCC regulations provide that changes or modifications not expressly approved by Hunter Industries could void your authority to operate this equipment. These limits are designed to provide reasonable protection against harmful interference

in a residential installation. However, there is no guarantee that interference will not occur in a particular installation. If this equipment does cause harmful interference to radio or television reception, which can be determined by turning the equipment off and on, the user is encouraged to try to correct the interference by one or more of the following measures:

- Reorient or relocate the receiving antenna.
- Increase the separation between the equipment and receiver.
- Connect the equipment into an outlet on a circuit different from that to which the receiver is connected.
- Consult the dealer or an experienced radio/TV technician for help.

Industry Canada Notice

This device complies with Industry Canada license-exempt RSS standard(s). Operation is subject to the following two conditions:

1. This device may not cause interference, and
2. This device must accept any interference, including interference that may cause undesired operation of the device.

Decleration d'Industrie Canada

Le présent appareil est conforme aux CNR d'Industrie Canada applicables aux appareils radio exempts de licence. L'exploitation est autorisée aux deux conditions suivantes :

1. L'appareil ne doit pas produire de brouillage, et
2. L'utilisateur de l'appareil doit accepter tout brouillage radioélectrique subi, même si le brouillage est susceptible d'en compromettre le fonctionnement.

Certificate of Conformity to European Directives

Hunter Industries hereby declares that this product is in compliance with the essential requirements and other relevant provisions of European Directives 2014/35/EU (low voltage), and 2014/30/EU (electromagnetic compatibility).



Helping our customers succeed is what drives us. While our passion for innovation and engineering is built into everything we do, it is our commitment to exceptional support that we hope will keep you in the Hunter family of customers for years to come.

A handwritten signature in black ink, appearing to read 'G. R. Hunter', with a long horizontal line extending to the right.

Gregory R. Hunter, CEO of Hunter Industries

HUNTER INDUSTRIES INCORPORATED | *Built on Innovation*[®]
1940 Diamond Street, San Marcos, California 92078, USA
www.hunterindustries.com