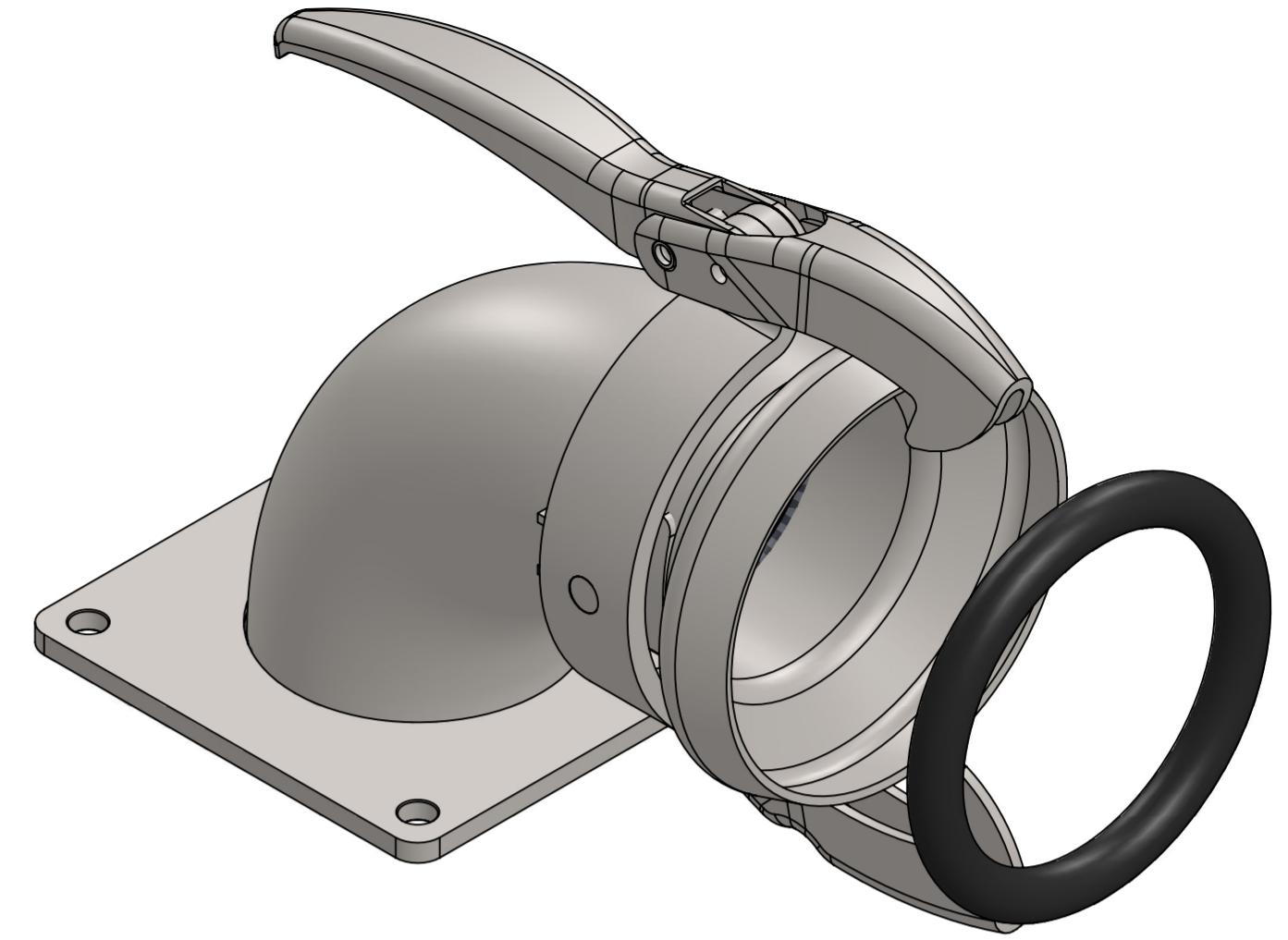
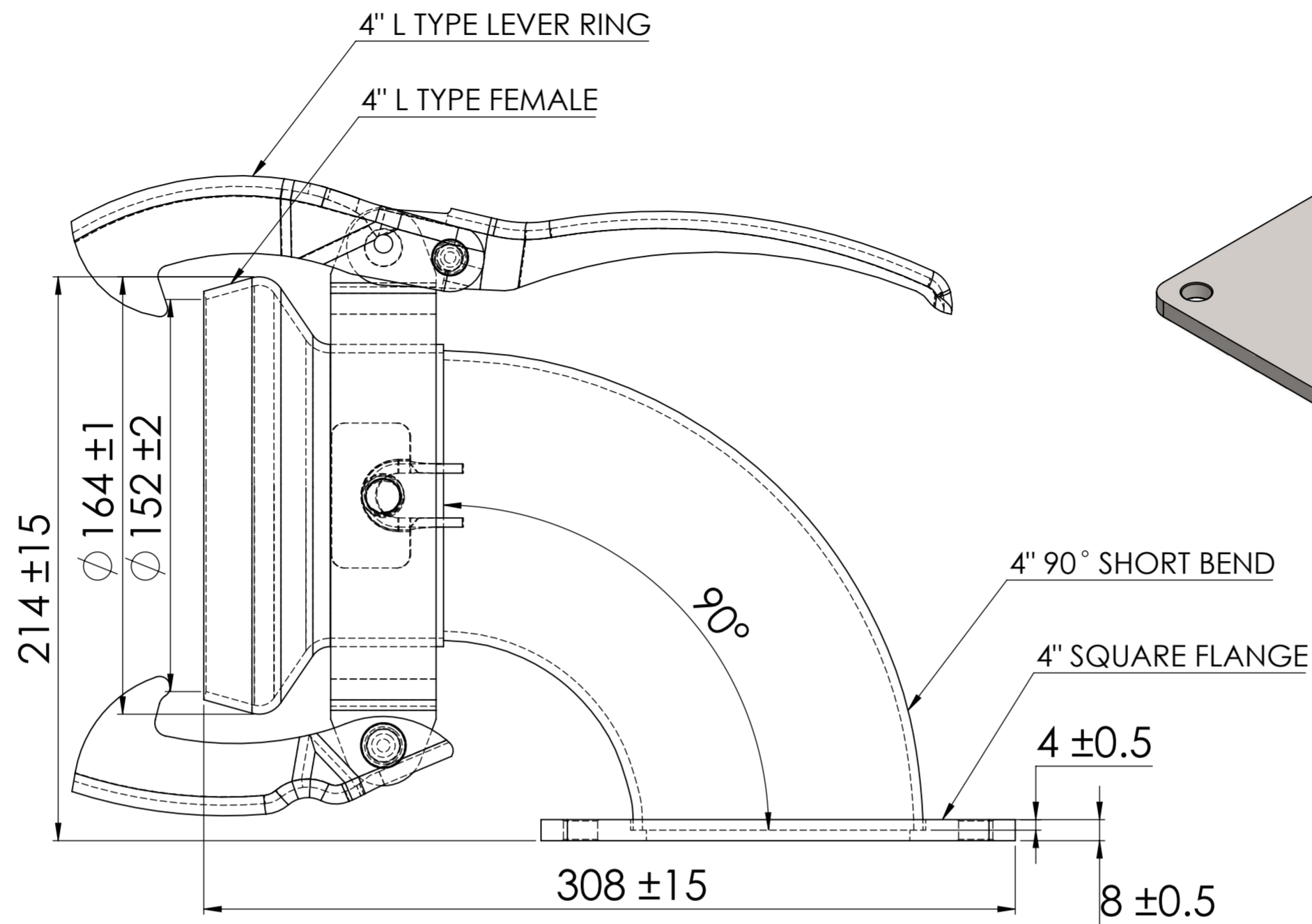


4" L TYPE RUBBER RING

18 ±1

∅ 158 ±1



214 ±15

∅ 164 ±1

∅ 152 ±2

90°

4" 90° SHORT BEND

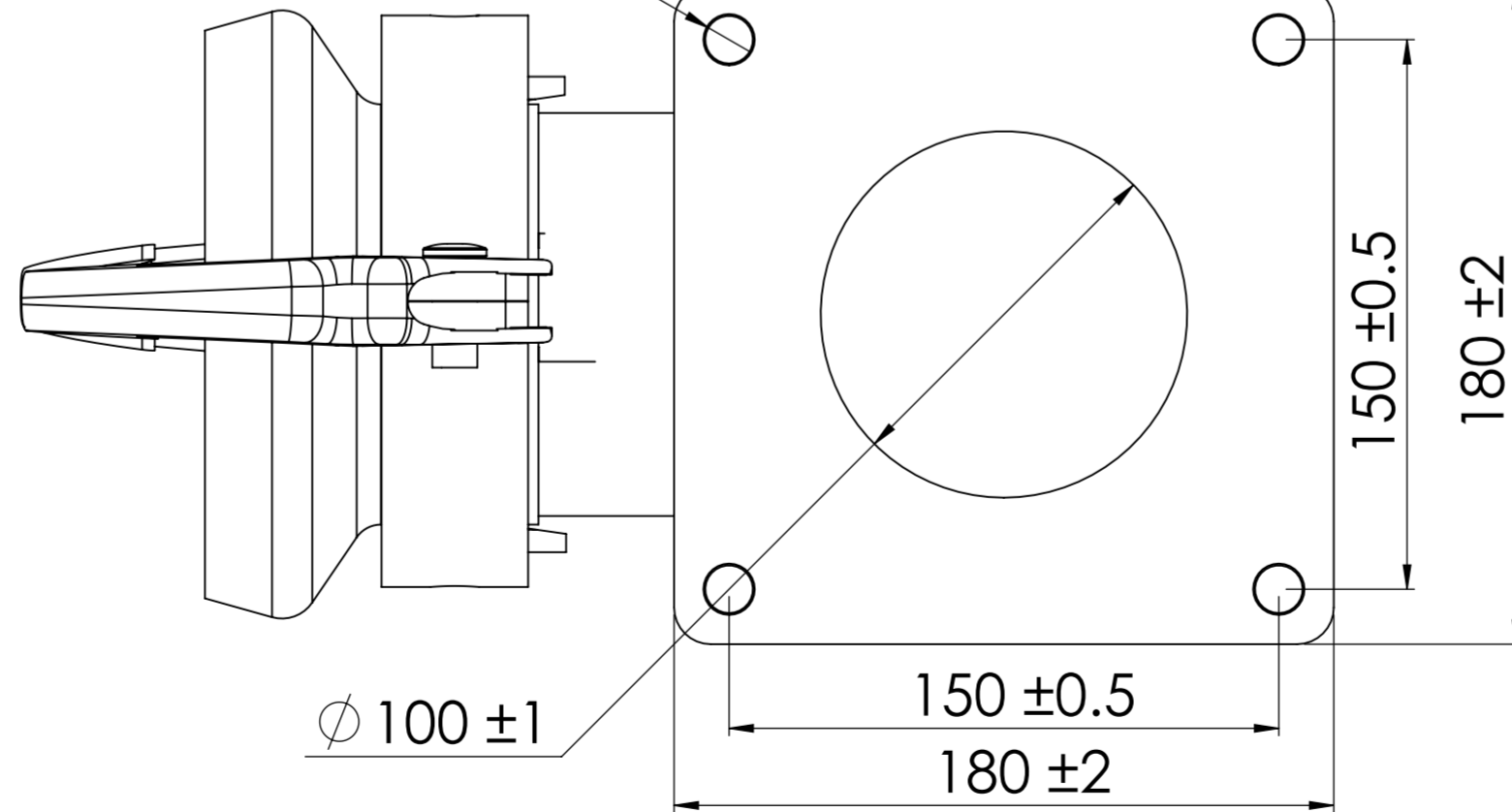
4" SQUARE FLANGE

4 ±0.5

8 ±0.5

308 ±15

∅ 13 ±0.5(x4)



∅ 100 ±1

150 ±0.5

180 ±2

150 ±0.5

180 ±2

NOTE:- UNSPECIFIED TOLERANCE
DIA.(∅):- ±1
LENGTH :- ±5

NOTE:-

MATERIAL - M.S

SURFACE FINISH - GALVANIZED

GALVANIZED COATING SHOULD NOT BE LESS THAN 60μ

REV. NO.	DATE OF REV.	CHANGED BY	PROPOSED BY	DESCRIPTION	REMARKS
REVISION HISTORY					
4		5	6	7	8

ALL DIMENSIONS ARE IN MM UNLESS SPECIFIED OTHERWISE

SCALE - 1:2



SHEET NO:-1/ 1

A2

31-08-2020