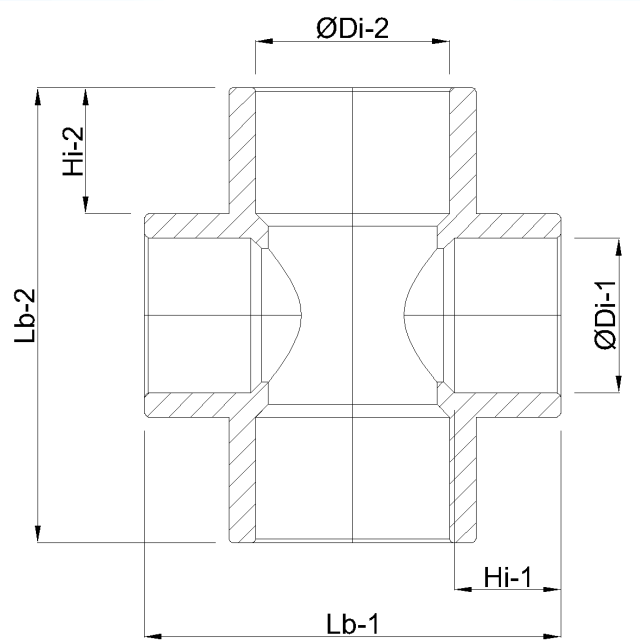


TYPE A

Item no	ØDi	Hi	Lb	TYPE
7018135	10	12	38	A
7018136	12	12	40	A
0100770	16	14	48	A
7002640	20	16	54	A
7002641	25	19	66	A
7002642	32	22	78	A
7002643	40	26	98	A
7002644	50	31	118	A
7002645	63	38	144	A
7002646	75	44	168	A
7002647	90	51	198	A
7002648	110	61	240	A

All Dimensions are in mm



TYPE B

Item no	$\varnothing Di-1$	$\varnothing Di-2$	Lb-1	Lb-2	Hi-1	Hi-2	TYPE
7018137	32	40	86	94	22	26	B
7013175	32	50	100	118	22	31	B